
DAIHATSU

G202

Chassis

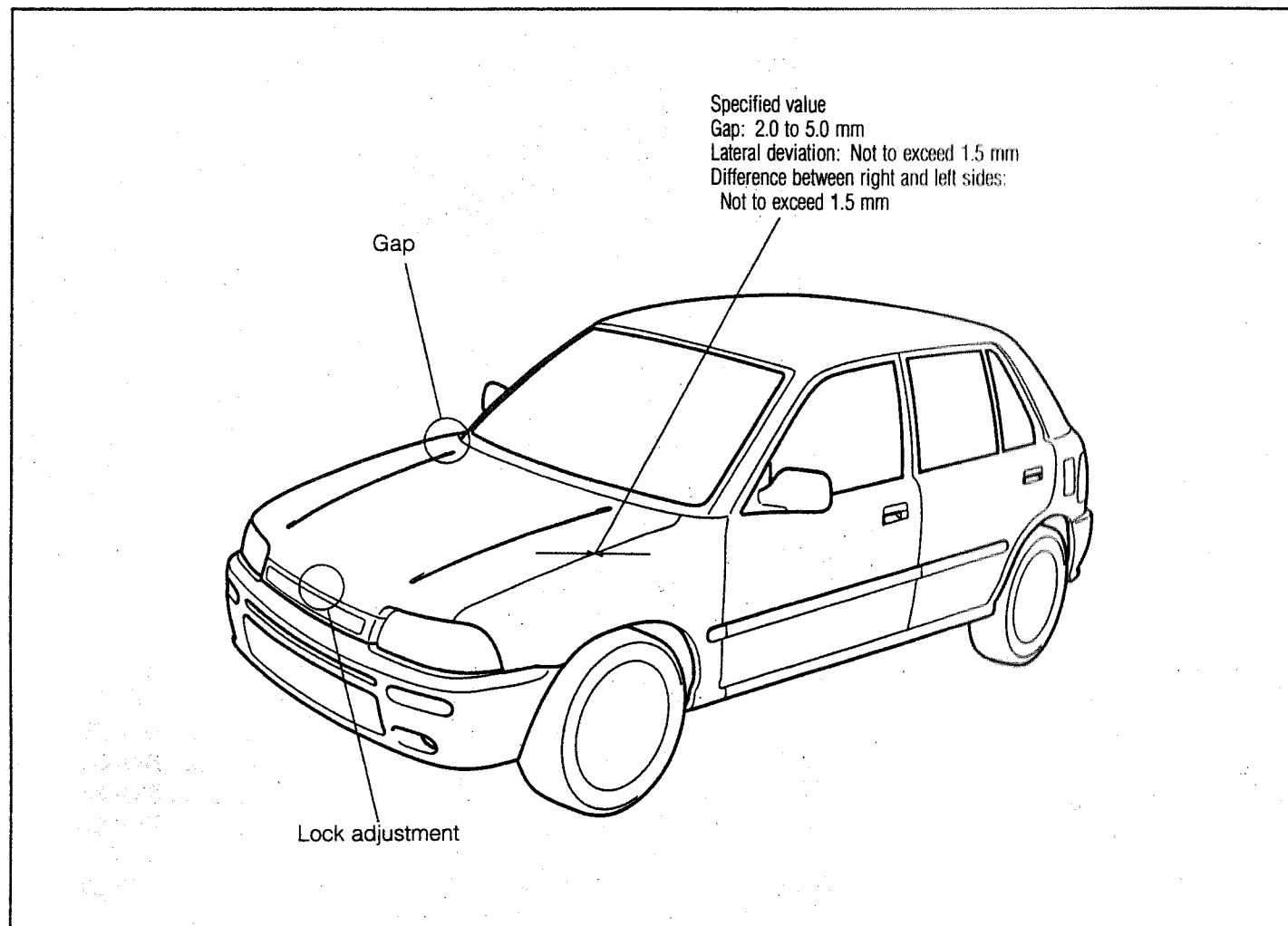
BODY

ALIGNMENT ADJUSTMENTS	BO- 2	FRONT DOOR TRIM	BO-25
FRONT BUMPER	BO- 6	REAR DOOR TRIM	BO-27
REAR BUMPER	BO- 7	SIDE TRIM	BO-28
FRONT FENDER	BO- 8	DECK SIDE TRIM	BO-31
FENDER LINER	BO- 9	ROOF HEADLINING	BO-33
HOOD & HOOD LOCK CONTROL CABLE	BO-10	FRONT DOOR	BO-34
BACK DOOR OPENER & FUEL LID OPENER	BO-12	POWER WINDOW MASTER SWITCH	BO-37
ROOF DRIP MOLDING	BO-13	FRONT DOOR LOCK & OUTSIDE HANDLE	BO-38
SIDE PROTECTION MOLDING	BO-15	REAR DOOR	BO-39
INSTRUMENT PANEL	BO-17	REAR DOOR LOCK & OUTSIDE HANDLE	BO-41
FRONT SEAT	BO-19	BACK DOOR STAY	BO-42
REAR SEAT	BO-20	TIGHTENING TORQUE	BO-43
FRONT SEAT BELT	BO-22	BODY DIMENSIONS	BO-43
REAR SEAT BELT	BO-24		

G2BO0001-0000

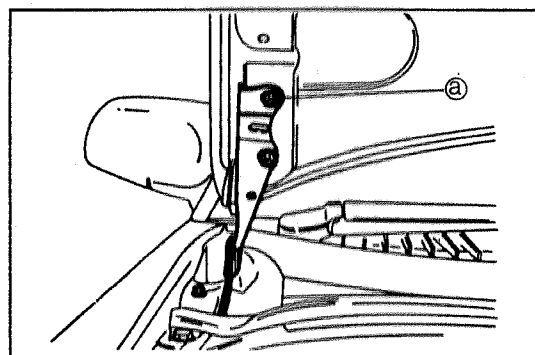
BO

ALIGNMENT ADJUSTMENTS
ENGINE HOOD ALIGNMENT ADJUSTMENT



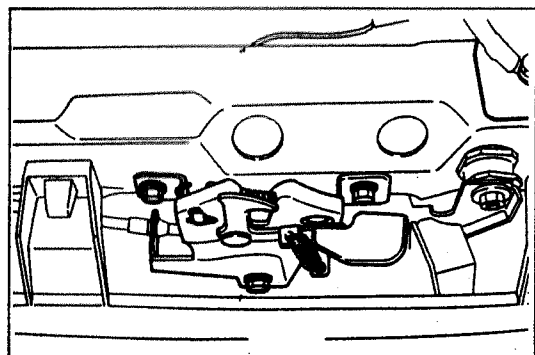
GB000002-99999

1. Gap Adjustment, Adjustment of Difference in Height
 Loosen the hood hinge bolts (a). Perform the adjustment by moving the hood.



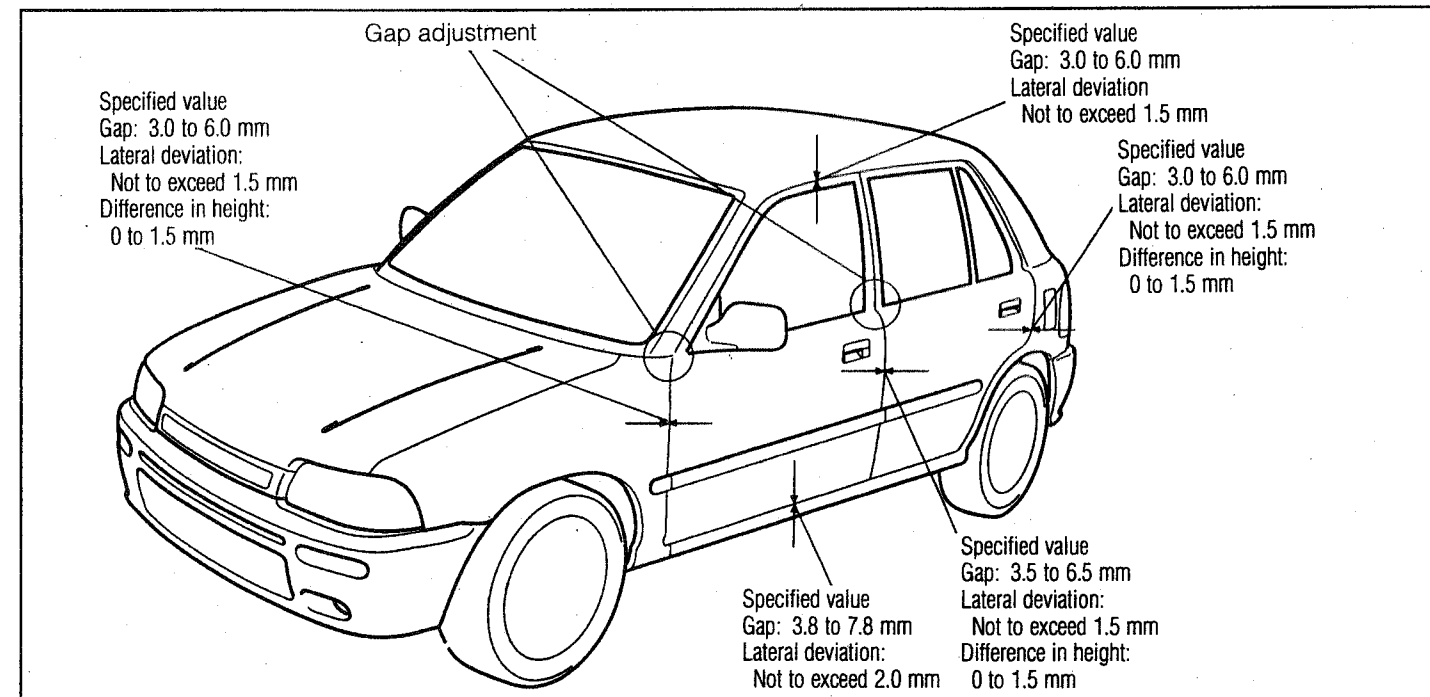
GB000003-99999

2. Lock Adjustment
 Loosen the three hood lock attaching bolts. Perform the adjustment by moving the hood lock.



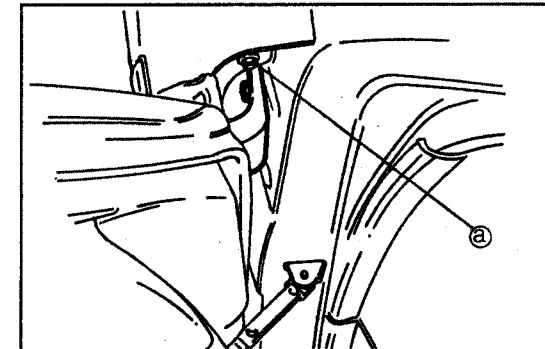
GB000004-99999

FRONT DOOR, REAR DOOR ALIGNMENT ADJUSTMENT



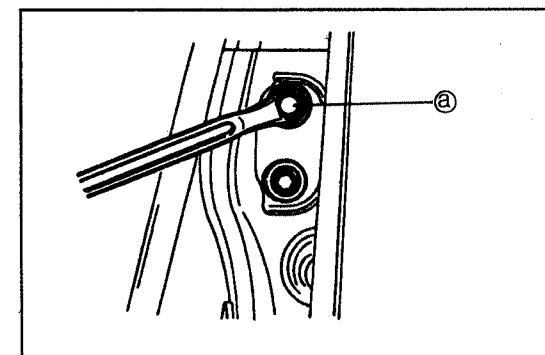
GB000005-99999

1. Gap Adjustment
 (1) Front door
 Loosen the attaching bolt (a). Perform the adjustment by moving the door panel.
 SST: 09812-00010-000



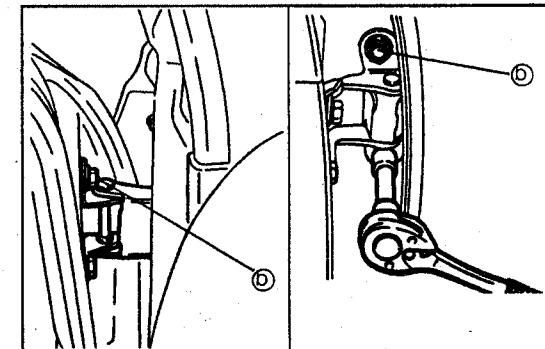
GB000006-99999

- (2) Rear door
 Loosen the attaching bolt (a). Perform the adjustment by moving the door panel.



GB000007-99999

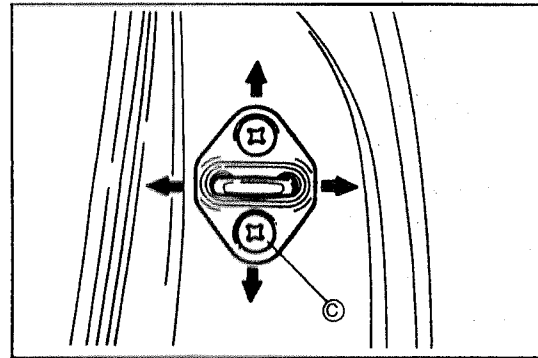
2. Adjustment of Difference in Height
 Loosen the attaching bolt (b). Perform the adjustment by moving the door panel.



GB000008-99999

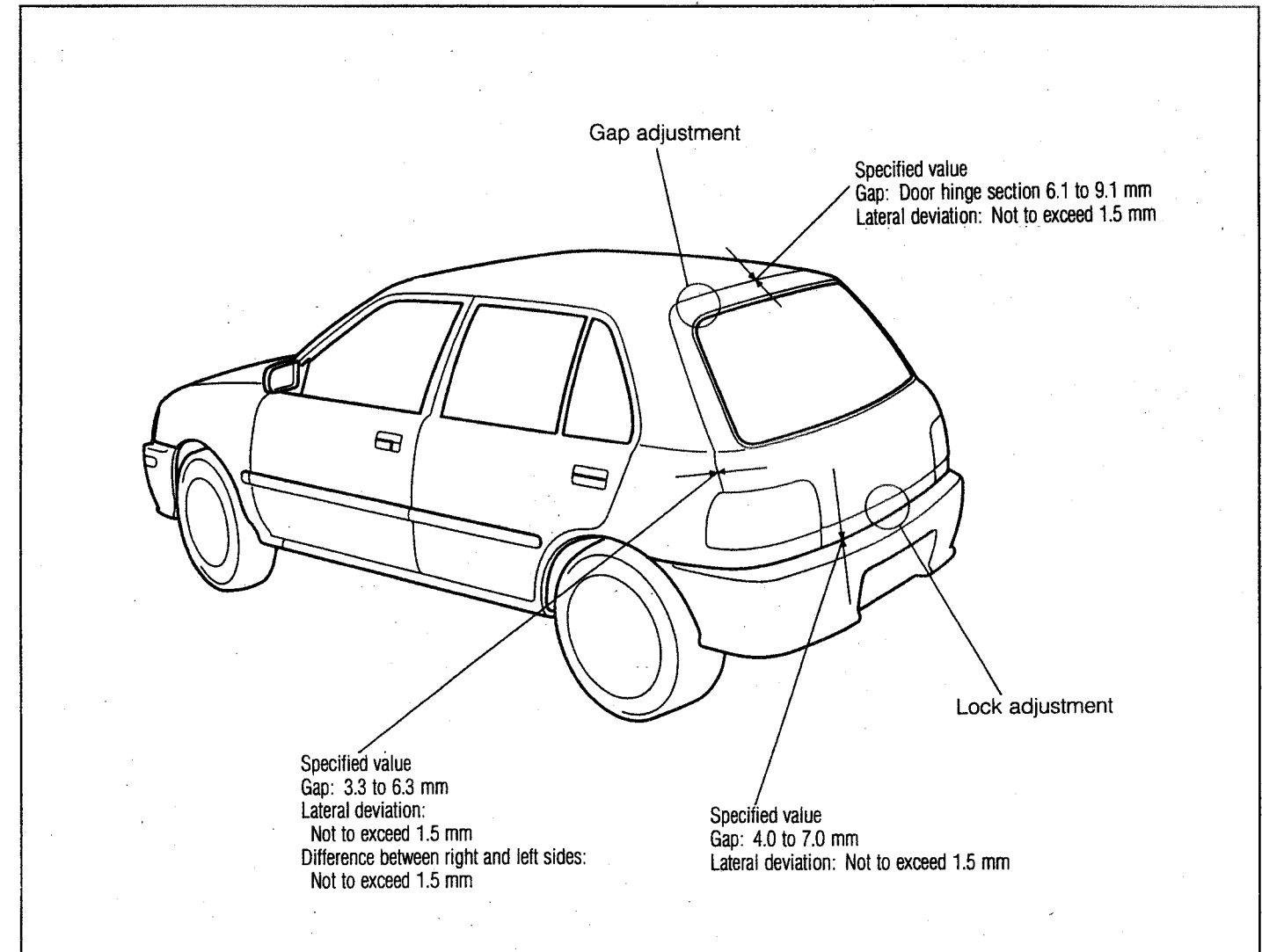
3. Lock Adjustment

Loosen the screw © of the lock striker. Perform the adjustment by tapping it with a hammer.



GBO00009-99999

BACK DOOR ALIGNMENT ADJUSTMENT



Specified value
Gap: Door hinge section 6.1 to 9.1 mm
Lateral deviation: Not to exceed 1.5 mm

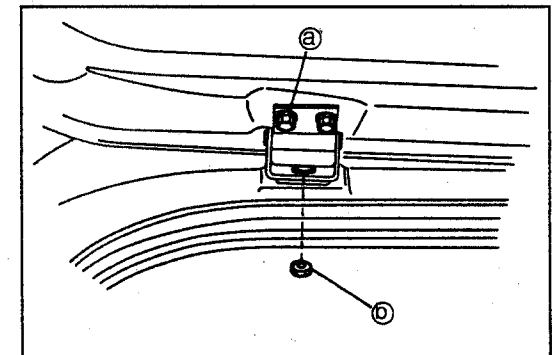
Specified value
Gap: 3.3 to 6.3 mm
Lateral deviation:
Not to exceed 1.5 mm
Difference between right and left sides:
Not to exceed 1.5 mm

Specified value
Gap: 4.0 to 7.0 mm
Lateral deviation: Not to exceed 1.5 mm

GBO00010-99999

1. Gap Adjustment

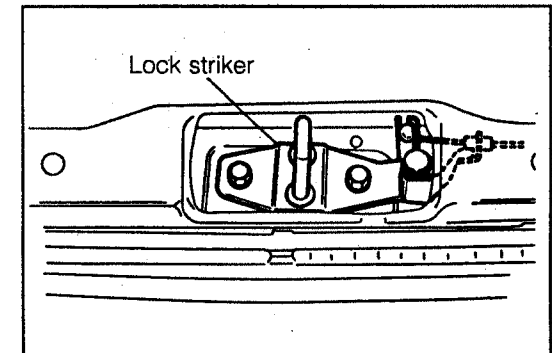
Loosen the attaching bolt @. Perform the adjustment by moving the door panel.
If the adjustment is difficult, loosen the nut ©, perform the adjustment by moving the back door panel.



GBO00011-99999

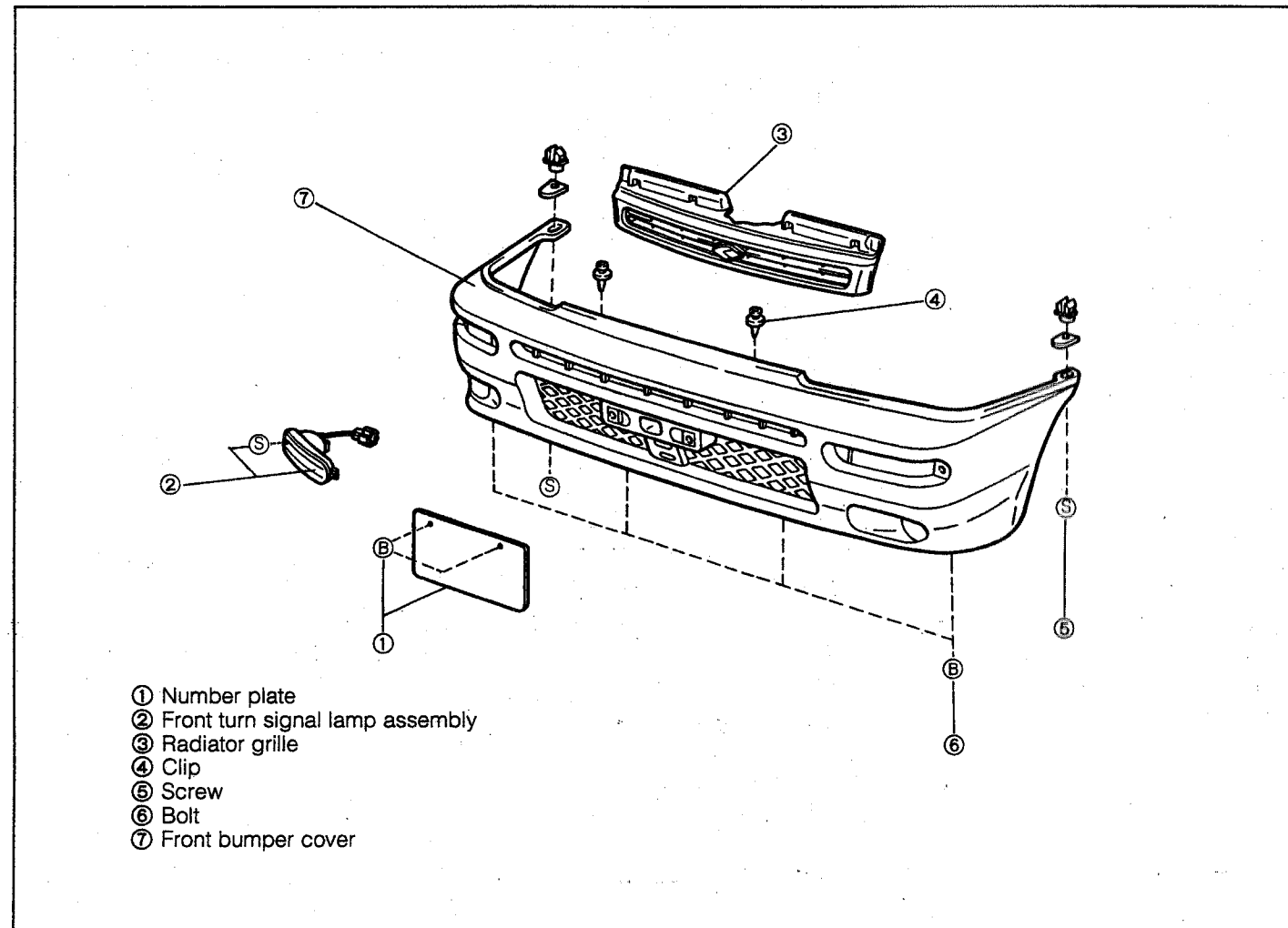
2. Lock Adjustment

Perform the adjustment by moving the back door lock striker.



GBO00012-99999

FRONT BUMPER COMPONENTS



- ① Number plate
- ② Front turn signal lamp assembly
- ③ Radiator grille
- ④ Clip
- ⑤ Screw
- ⑥ Bolt
- ⑦ Front bumper cover

GB000013-99999

REMOVAL

Remove the components in the order following named.

- ① Number plate
- ② Front turn signal lamp assembly
(Disconnect the coupler for turn signal lamp use.)
- ③ Radiator grille
- ④ Clip (upper side of front bumper, 2 pieces)
- ⑤ Screw (both right and left sides, 2 pieces)
- ⑥ Bolt (under side of front bumper, 4 pieces)
- ⑦ Front bumper cover

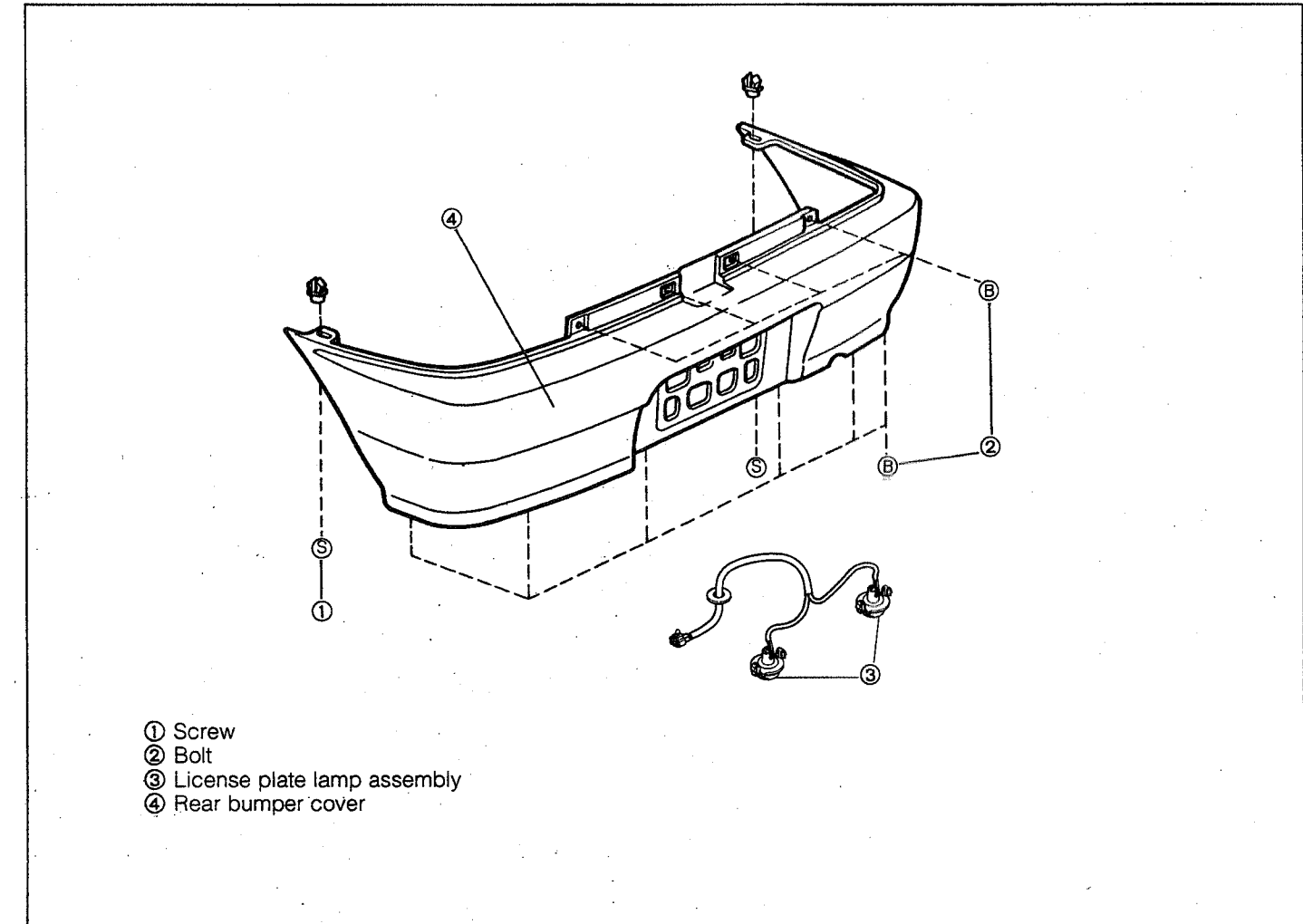
INSTALLATION

Install the components in the opposite order of the removal order.

GB000014-00000

GB000015-00000

REAR BUMPER COMPONENTS



- ① Screw
- ② Bolt
- ③ License plate lamp assembly
- ④ Rear bumper cover

GB000016-99999

REMOVAL

Remove the components in the order following named.

- ① Screw (both right and left sides, 2 pieces)
- ② Bolt (under side of rear bumper, 6 pieces)
(upper side of rear bumper, 4 pieces)
- ③ License plate lamp assembly
(Disconnect the couplers for license plate lamp assembly use.)
- ④ Rear bumper cover

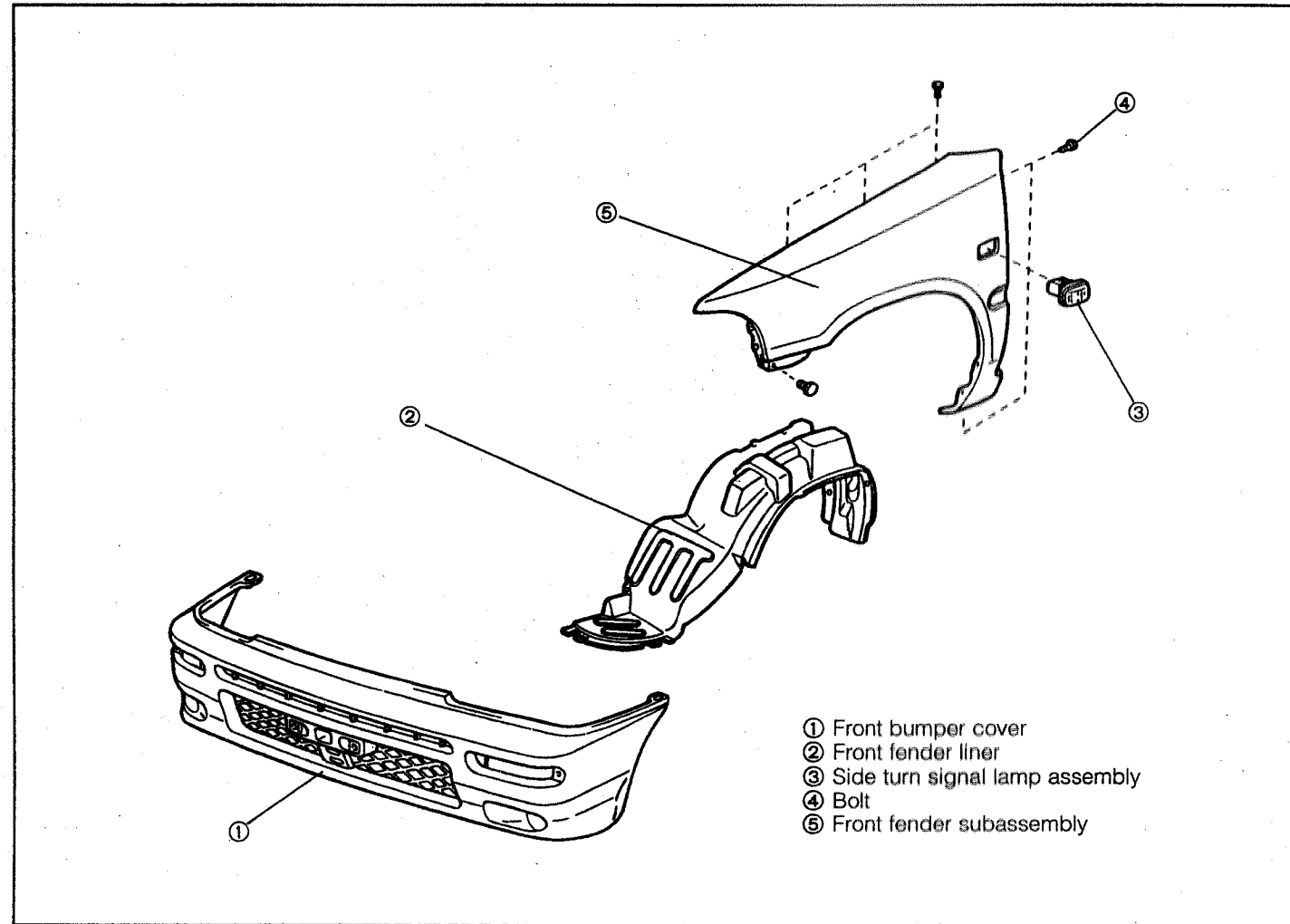
INSTALLATION

Install the components in the opposite order of the removal order.

GB000017-00000

GB000018-00000

FRONT FENDER COMPONENTS



- ① Front bumper cover
- ② Front fender liner
- ③ Side turn signal lamp assembly
- ④ Bolt
- ⑤ Front fender subassembly

GBO00019-99999

REMOVAL

Remove the front fender in the order following named.

- ① Front bumper cover (See page BO-6)
- ② Front fender liner (See page BO-9)
- ③ Side turn signal lamp assembly
- ④ Bolt (6 pieces)
- ⑤ Front fender subassembly

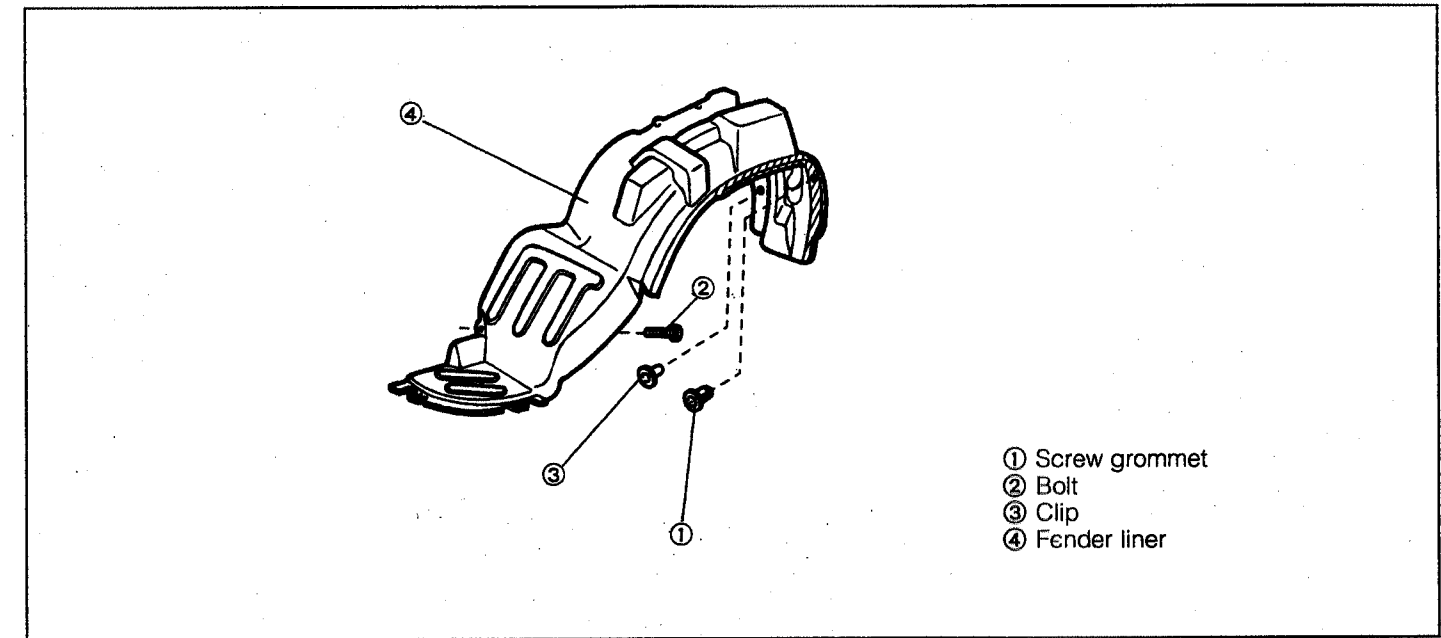
GBO00020-00000

INSTALLATION

Install the front fender in the opposite order of the removal order.

GBO00021-00000

FENDER LINER COMPONENTS



- ① Screw grommet
- ② Bolt
- ③ Clip
- ④ Fender liner

GBO00022-99999

REMOVAL

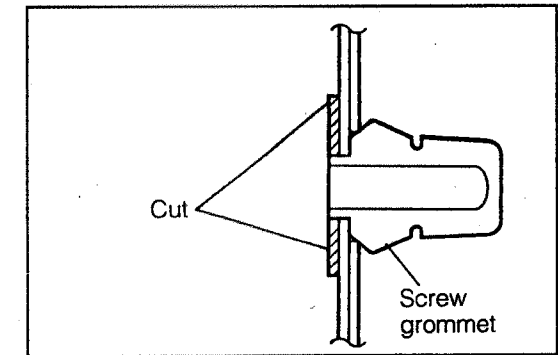
Remove the fender liner in the order following named.

- ① Screw grommet (4 pieces)

NOTE:

- Remove the screw grommets by cutting off the hem of each screw grommet.

- ② Bolt (1 piece)
- ③ Clip (7 pieces)
- ④ Fender liner



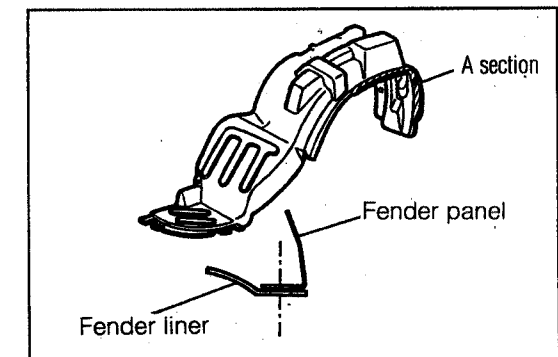
GBO00023-99999

INSTALLATION

Install the front fender in the opposite order of the removal order.

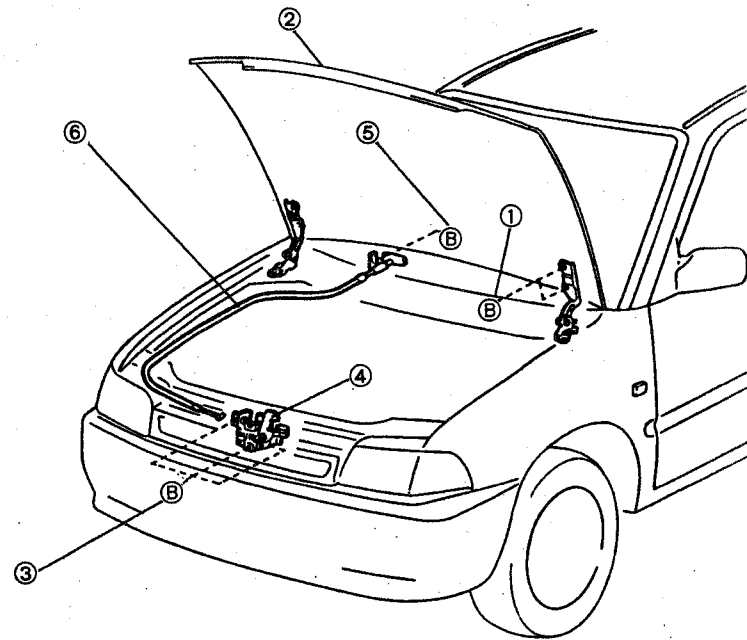
NOTE:

- Set the fender liner on the outside of the fender panel at the "A" section in the right figure.



GBO00024-99999

HOOD & HOOD LOCK CONTROL CABLE COMPONENTS



- ① Bolt w/washer (for hood hinge)
- ② Hood subassembly
- ③ Bolt w/washer (for hood lock)
- ④ Hood lock assembly
- ⑤ Bolt w/washer (for lock cable)
- ⑥ Hood lock control cable assembly

GBO00025-99999

REMOVAL

1. Remove the radiator grille.
2. Remove the front fender liner. (See page BO-9)
3. Remove the hood & hood lock control cable in the order following named.
 - ① Bolt w/washer (4 pieces, for hood hinge)
 - ② Hood subassembly
 - ③ Bolt w/washer (3 pieces, for hood lock)
 - ④ Hood lock assembly
 - ⑤ Bolt w/washer (2 pieces, for lock cable)
 - ⑥ Hood lock control cable assembly

GBO00026-00000

INSTALLATION

Install the hood & hood lock control cable in the opposite order of the removal order.

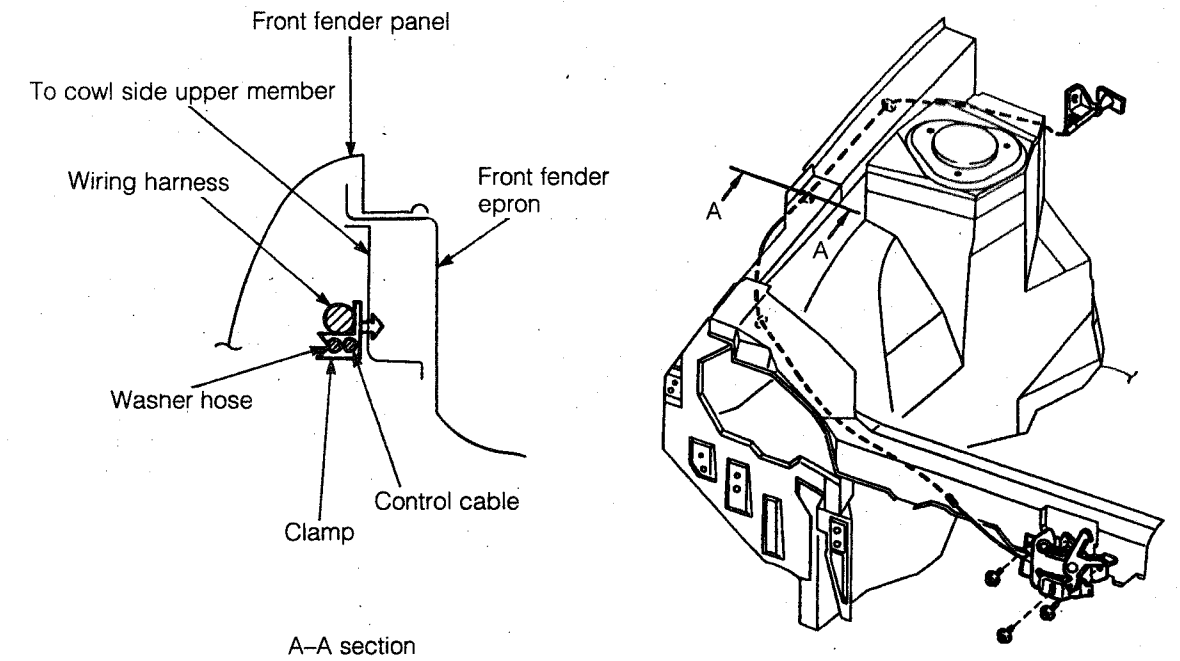
(Refer to next page)

NOTE:

- Be sure to perform the hood alignment adjustment during installation of the hood subassembly.

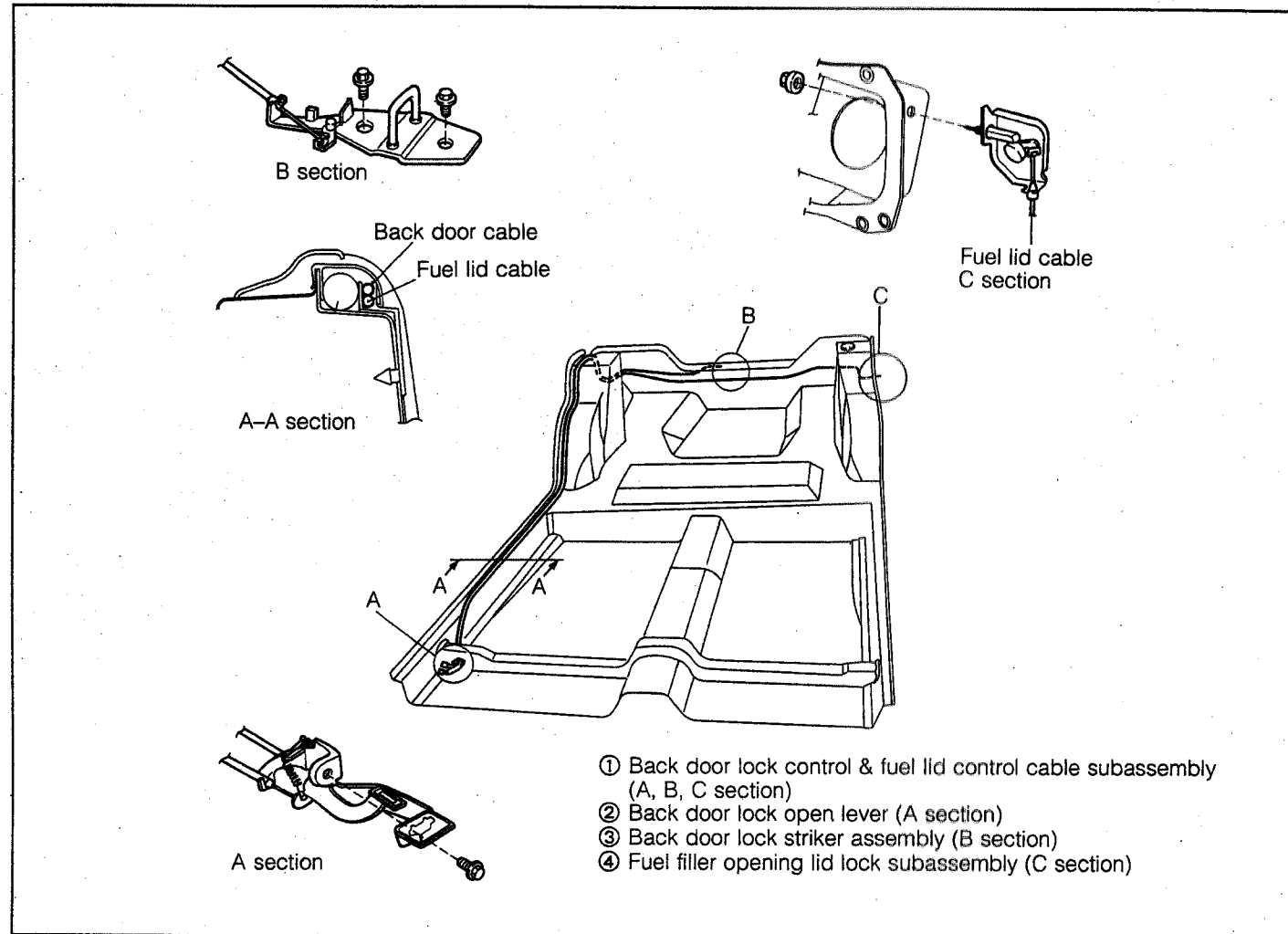
GBO00027-00000

Install the hood lock control cable assembly, as indicated in the figure below.



GBO00028-99999

BACK DOOR OPENER & FUEL LID OPENER COMPONENTS



- ① Back door lock control & fuel lid control cable subassembly (A, B, C section)
- ② Back door lock open lever (A section)
- ③ Back door lock striker assembly (B section)
- ④ Fuel filler opening lid lock subassembly (C section)

GBO00029-99999

REMOVAL

1. Remove the front seat right. (See page BO-19)
2. Remove the rear seat left. (See page BO-20)
3. Remove the quarter trim (3 door)
4. Remove the lower back trim.
5. Remove the deck side trim.
6. Turn over the floor carpet.
7. Remove the components in the order following named.
 - ① Back door lock control cable subassembly & Fuel lid control cable subassembly.
 - ② Back door lock open lever
 - ③ Back door lock striker assembly
 - ④ Fuel filler opening lid lock subassembly

INSTALLATION

Install the components in the opposite order of the removal order.

GBO00030-00000

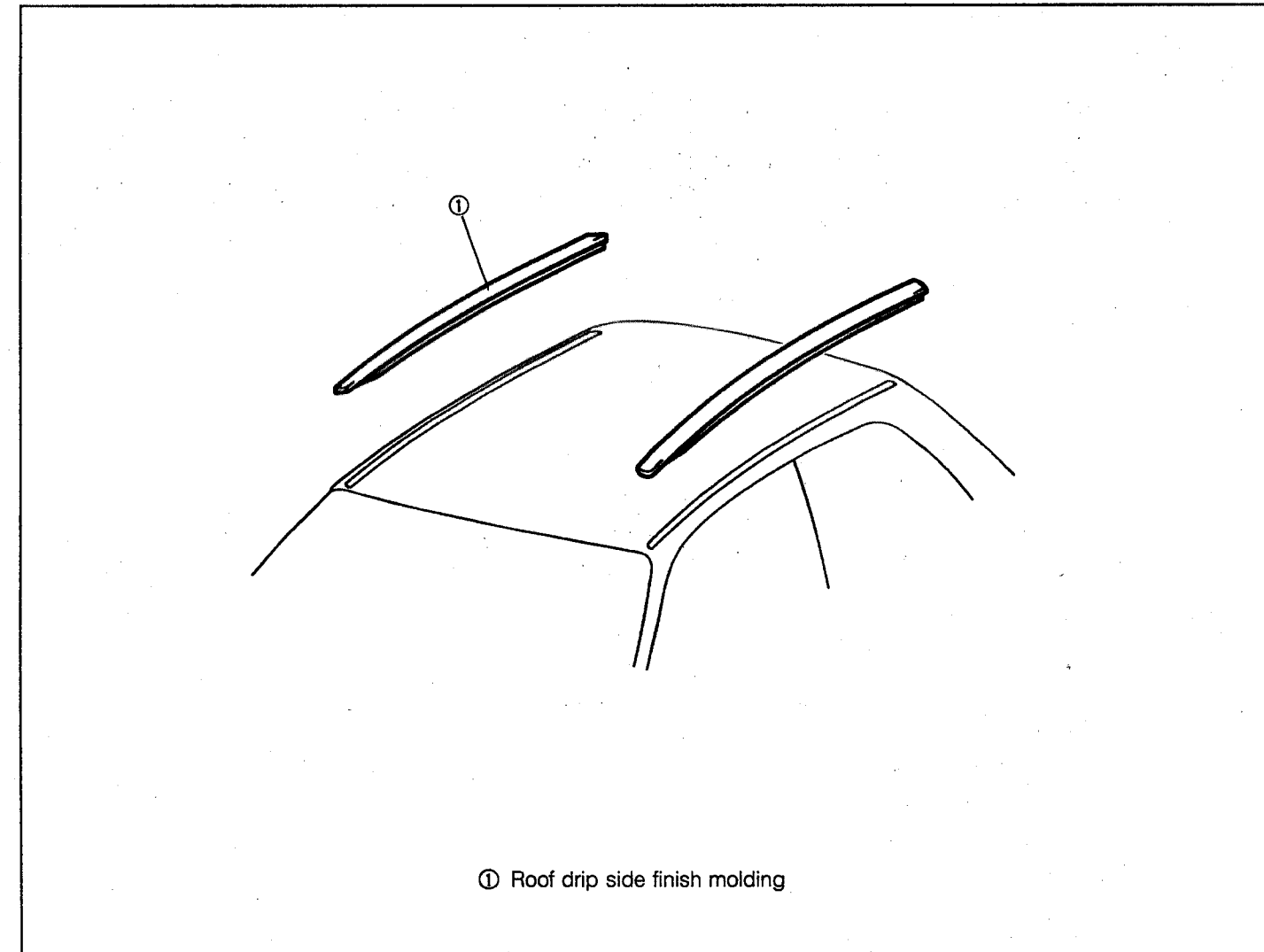
GBO00031-00000

ROOF DRIP MOLDING ARTICLES TO BE PREPARED

	Shape and nomenclature of item	Use
Lubricants and others	Plastic spatula	For removing outside moldings
	Solvents (Alcohol, white gasoline)	For cleaning body and moldings
	Beta seal 552 (Adhesive agent) (Cartridge capacity: 333 ml)	For installing outside molding

GBO00032-00000

COMPONENTS



① Roof drip side finish molding

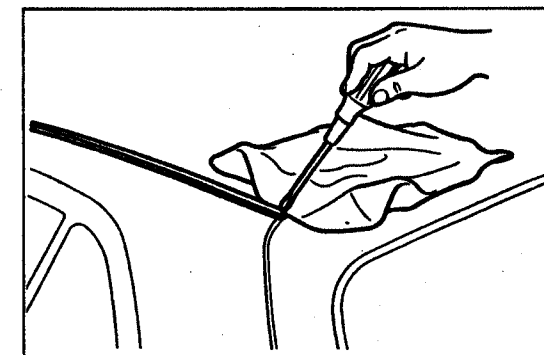
GBO00033-99999

REMOVAL

Disconnect the roof drip molding from the roof panel by inserting a screw driver or the like into the front end or rear end of the roof drip molding.

NOTE:

- While disconnecting the roof drip molding, be sure to use protective tape and a cloth for protecting the roof panel.
- If it is difficult to disconnect the adhesive area, cut off the adhesive area with a plastic spatula or the like.



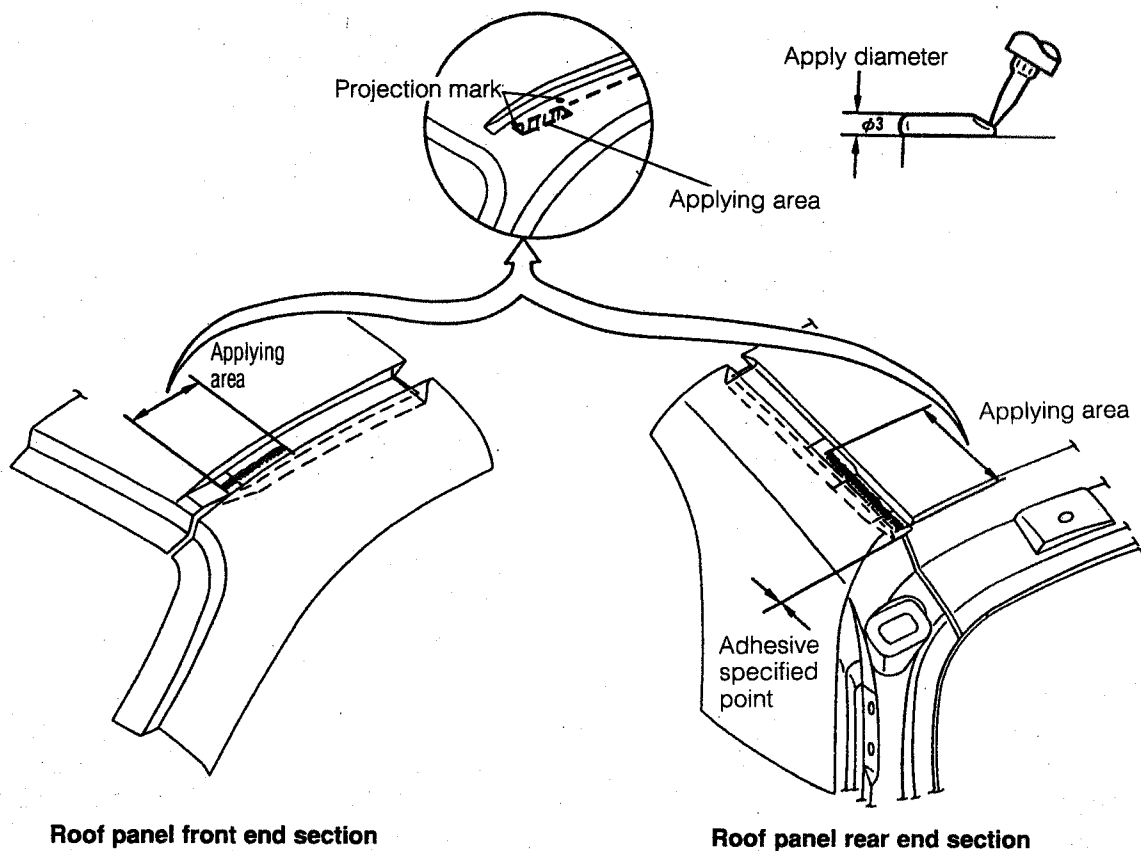
GBO00034-99999

INSTALLATION

1. Remove any adhesive agent remaining on the roof panel with a cloth dampened with alcohol or white gasoline.
2. Clean the front end (150 mm) and rear end (150 mm) of the roof panel with a cloth dampened with alcohol or white gasoline.
3. Heat the roof drip molding with an infrared lamp or the like to about 30°C to 40°C.
4. Cut the nozzle section of a Beta seal 552 (adhesive agent) at the $\phi 3$ position.
5. Apply the adhesive agent to the areas indicated in the figure below.
6. Remove the liner paper from the front end section of the roof drip molding.
7. Position the roof drip molding at the specified point of the roof panel.
8. Press the roof drip molding lightly by your fingers or the like.
9. Press the roof drip molding against the roof panel, using a roller or the like.
Applying pressure: 49 N (5 kgf)
10. Press the end sections of the roof drip molding firmly by your hand.

NOTE:

- When removing the liner paper, care must be exercised to ensure that no dirt or the like may get to the surface of the two-faced adhesive tape.
- Never allow the adhesive agent to get to the two-faced adhesive tape.
- Affix the roof drip molding within three minutes after the adhesive agent has been applied.
- Never apply the adhesive agent over the projection mark of the roof panel.



GB000035-99999

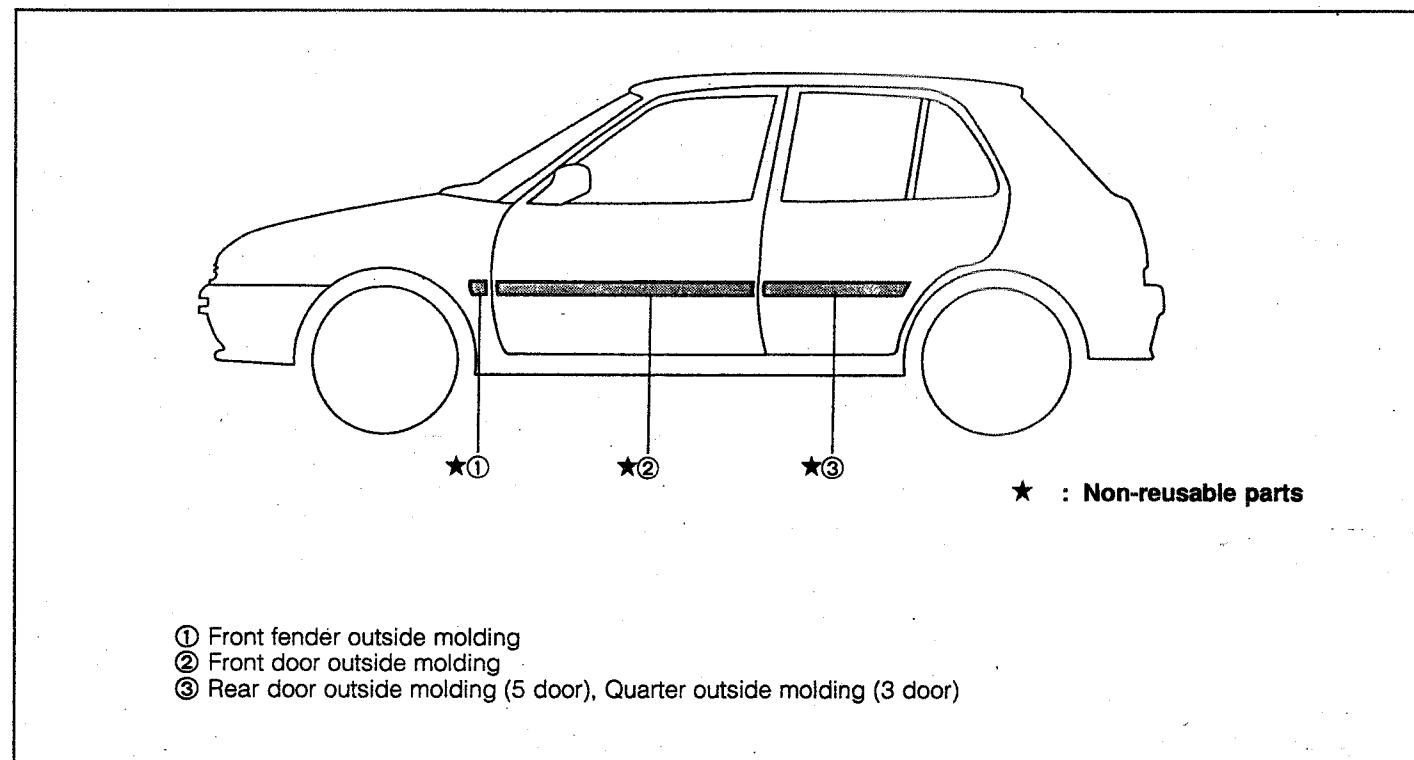
SIDE PROTECTION MOLDING

ARTICLES TO BE PREPARED

	Shape and nomenclature of item	Use
Lubricants and others	Plastic spatula	For removing outside moldings
	Tape	For removing outside moldings
	Solvents (Alcohol, white gasoline)	For cleaning body and moldings

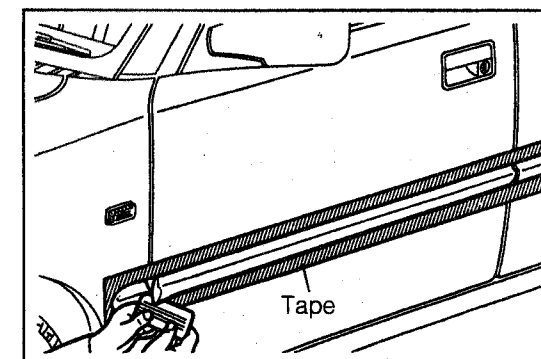
GB000036-00000

COMPONENTS

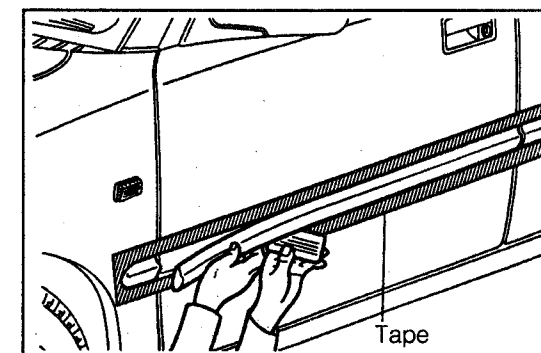


REMOVAL

1. Affix the protective tape around each side protection molding.
2. Raise the under section of each molding end area. Insert the plastic spatula between the molding and each panel.
3. Remove each side protection molding, cutting the two-faced adhesive tape by means of the plastic spatula.



GB000038-99999



GB000039-99999

INSTALLATION

1. Clean the attached surface of the body panel with a cloth dampened with alcohol or white gasoline.
2. Heat the body panel and each side protection molding with an infrared lamp or the like.

[REFERENCE]

- Body: 30°C - 50°C
- Molding: 20°C - 30°C

3. Remove the liner paper from the back side of each side protection molding. Position the each side protection molding at the specified point of the body panel.

NOTE:

- When removing the liner paper, care must be exercised to ensure that no dirt or the like may get to the surface of the two-faced adhesive tape.

4. Heat the adhesive area of each side protection molding with an infrared lamp or the like.

Adhesive tape temperature	Time
40°C - 60°C	One minute

NOTE:

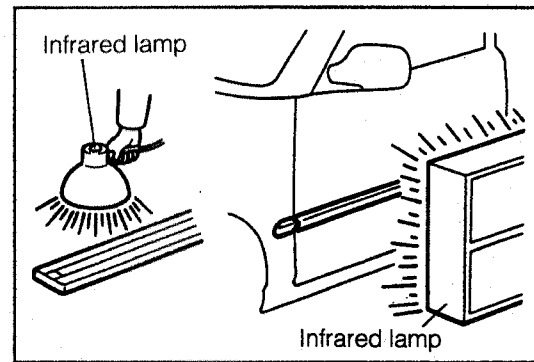
- Never heat the adhesive area of each side protection molding over 60°C which is bad condition for resinous parts.
- Be sure to heat the areas indicated in the right figure. Never heat each side protection molding directly.

5. Press each side protection molding against the body panel, using a roller or the like.

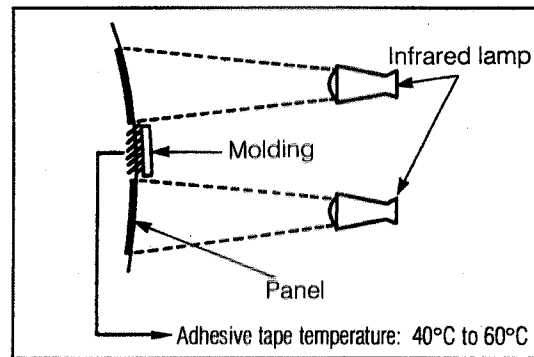
Applying Pressure: 49 N (5 kgf)

NOTE:

- Affix each side protection molding within one minute after the heating has been done.

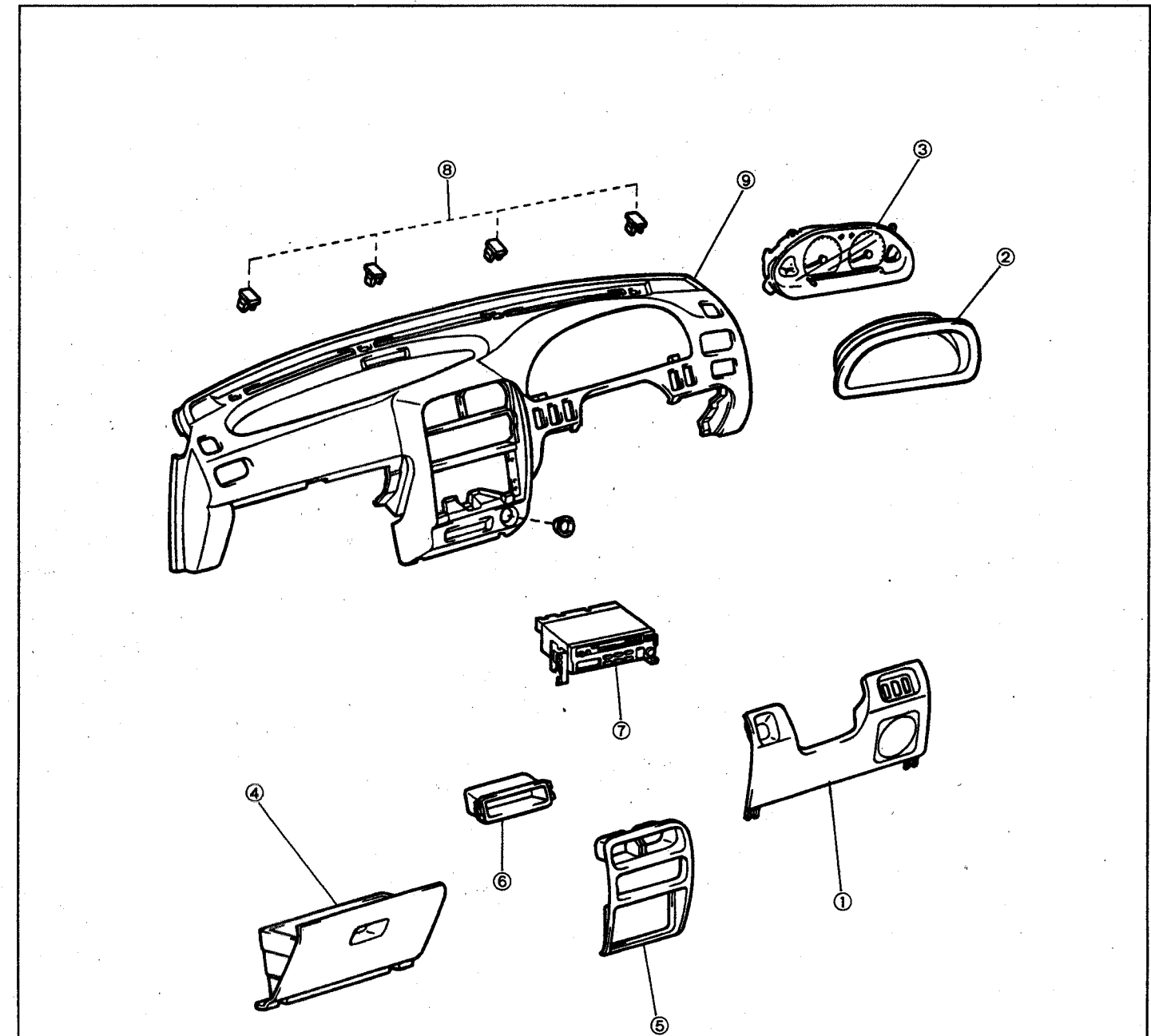


GBO00040-99999



GBO00041-99999

INSTRUMENT PANEL COMPONENTS



- ① Instrument panel finish lower panel
- ② Instrument cluster finish panel
- ③ Combination meter assembly
- ④ Glove compartment door assembly
- ⑤ Instrument cluster finish center panel subassembly
- ⑥ Radio tuner opening cover
- ⑦ Radio receiver assembly
- ⑧ Instrument panel hole cover (4 pieces)
- ⑨ Instrument panel subassembly

REMOVAL

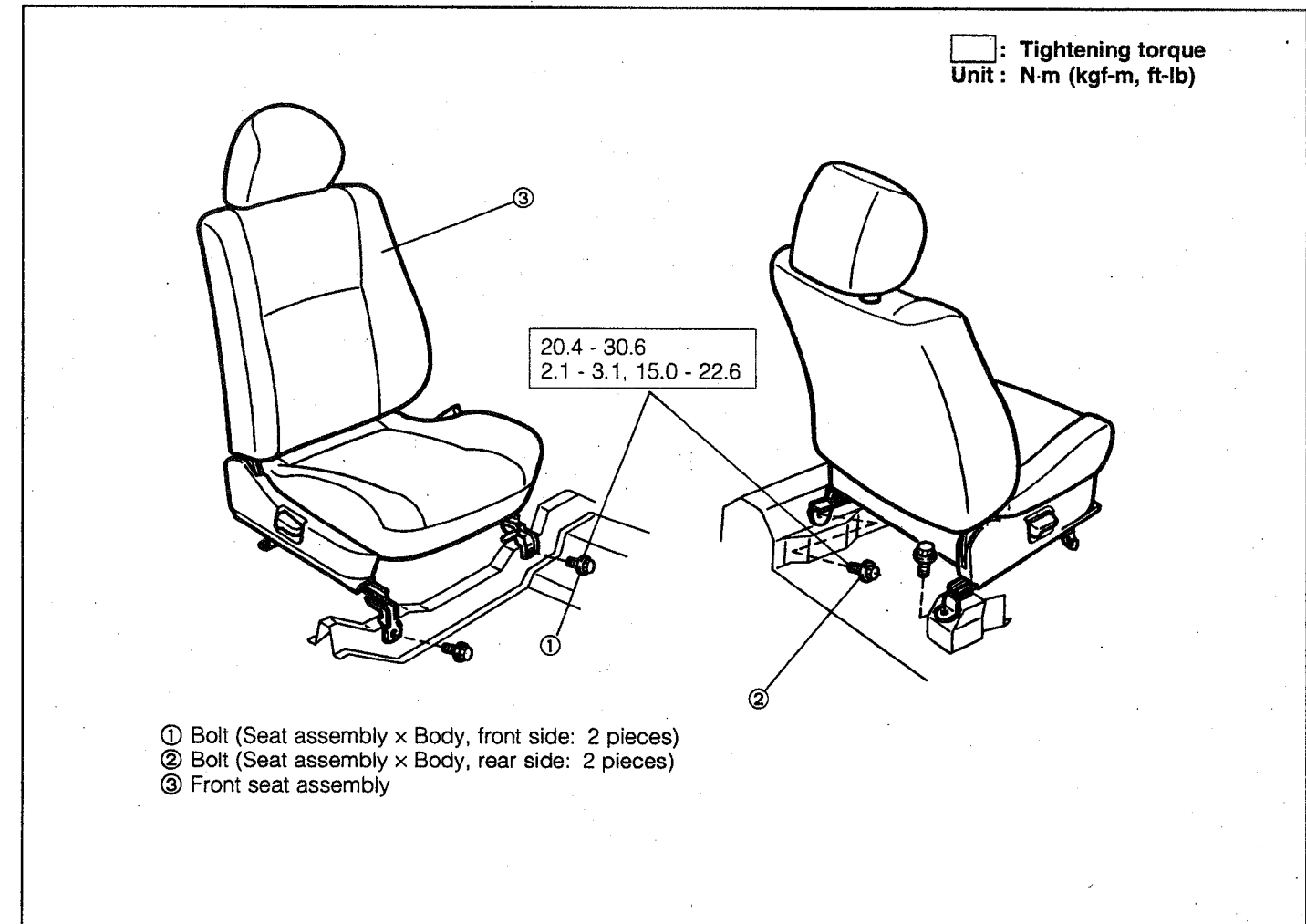
1. Disconnect the ground cable from the negative \ominus terminal of the battery.
2. Remove the instrument panel finish lower panel.
3. Remove the steering column assembly. (See SR-section)
4. Remove each component in the order following named.
 - ① Instrument panel finish lower panel
 - ② Instrument cluster finish panel
 - ③ Combination meter assembly
 - ④ Glove compartment door assembly
 - ⑤ Instrument cluster finish center panel subassembly
 - ⑥ Radio tuner opening cover
 - ⑦ Radio receiver assembly
 - ⑧ Instrument panel hole cover (4 pieces)
 - ⑨ Instrument panel subassembly

INSTALLATION

Install each component in the opposite order of the removal order.

GBO00043-00000

GBO00044-00000

FRONT SEAT
COMPONENTS

- ① Bolt (Seat assembly × Body, front side: 2 pieces)
 ② Bolt (Seat assembly × Body, rear side: 2 pieces)
 ③ Front seat assembly

GBO00045-99999

REMOVAL

Remove each component in the order following named.

- ① Bolt (Seat assembly × Body, front side: 2 pieces)
- ② Bolt (Seat assembly × Body, rear side: 2 pieces)
- ③ Front seat assembly

NOTE:

- When the harness for a belt warning and/or power seat is adopted, disconnect each related connector.

GBO00046-00000

INSTALLATION

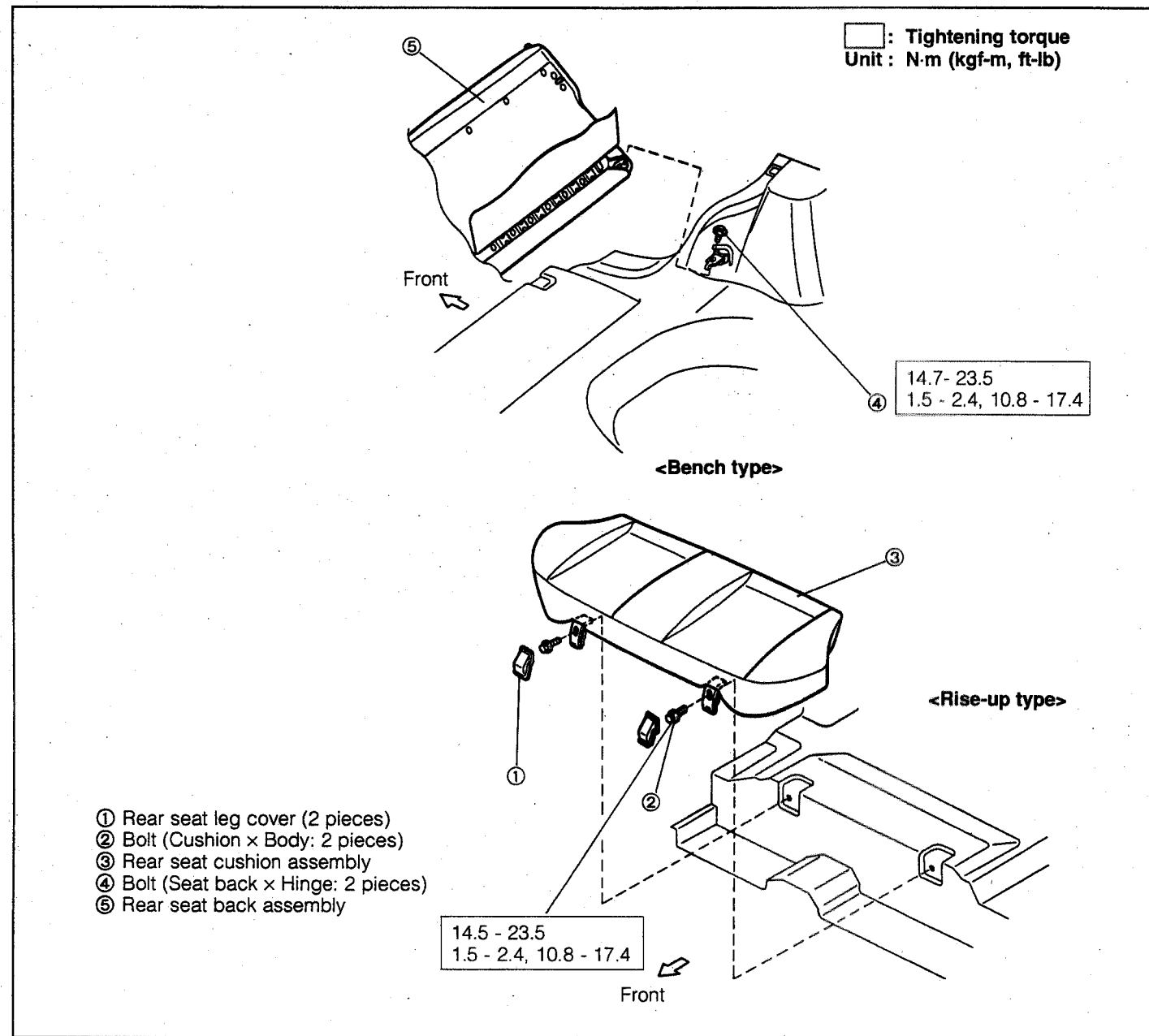
Install each component in the opposite order of the removal order.

NOTE:

- When the harness for a belt warning and/or power seat is adopted, be sure to connect each related connector.

GBO00047-00000

REAR SEAT COMPONENTS



GBO00048-99999

REMOVAL

Remove each component in the order following named.

- ① Rear seat leg cover (2 pieces)
- ② Bolt (Cushion x Body: 2 pieces)
- ③ Rear seat cushion assembly
- ④ Bolt (Seat back x Hinge: 2 pieces)
- ⑤ Rear seat back assembly

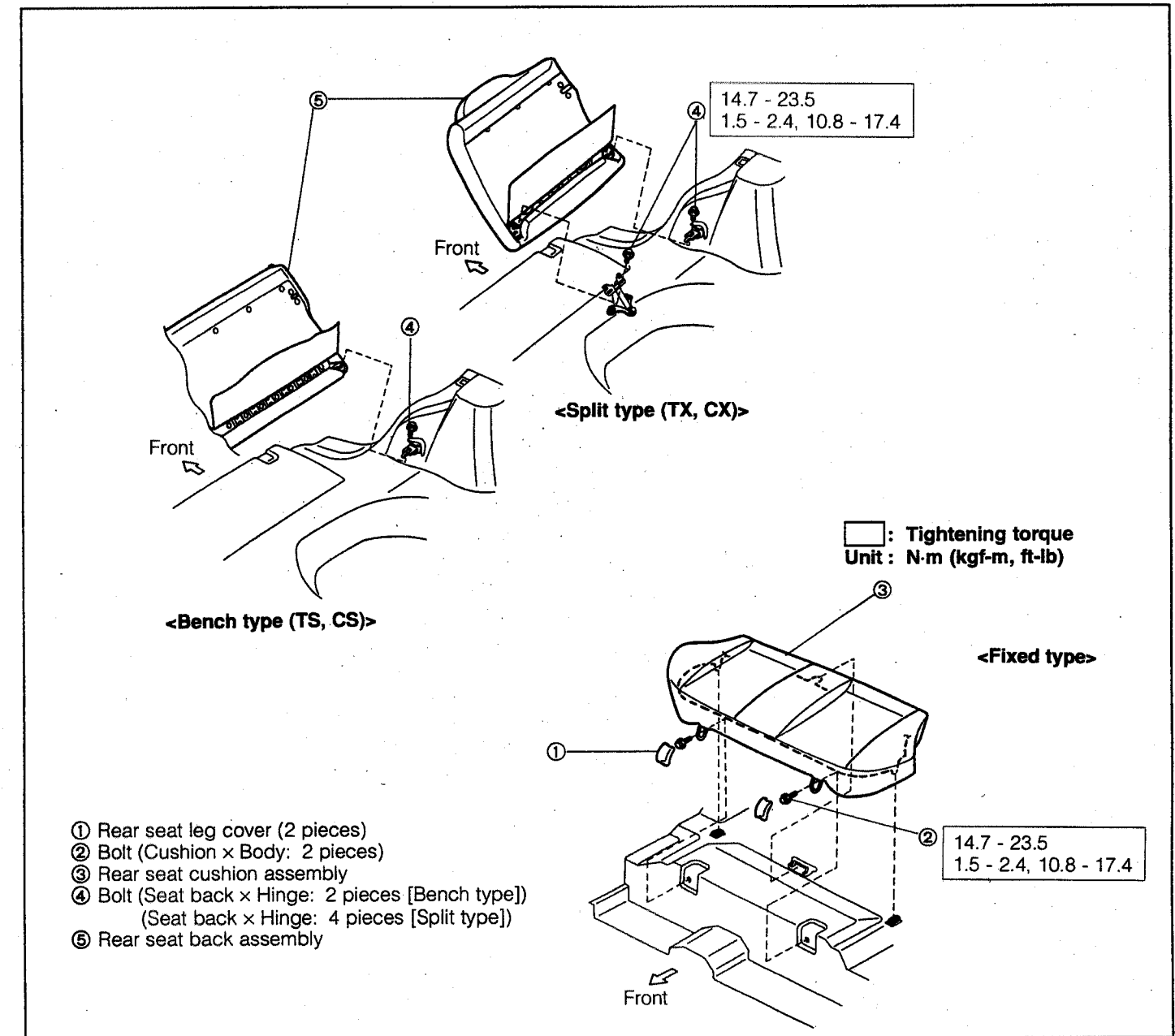
GBO00049-00000

INSTALLATION

Install each component in the opposite order of the removal order.

GBO00050-00000

REAR SEAT COMPONENTS



GBO00051-99999

REMOVAL

Remove each component in the order following named.

- ① Rear seat leg cover (2 pieces)
- ② Bolt (Cushion x Body: 2 pieces)
- ③ Rear seat cushion assembly
- ④ Bolt (Seat back x Hinge: 2 pieces [Bench type], 4 pieces [Split type])
- ⑤ Rear seat back assembly

GBO00052-00000

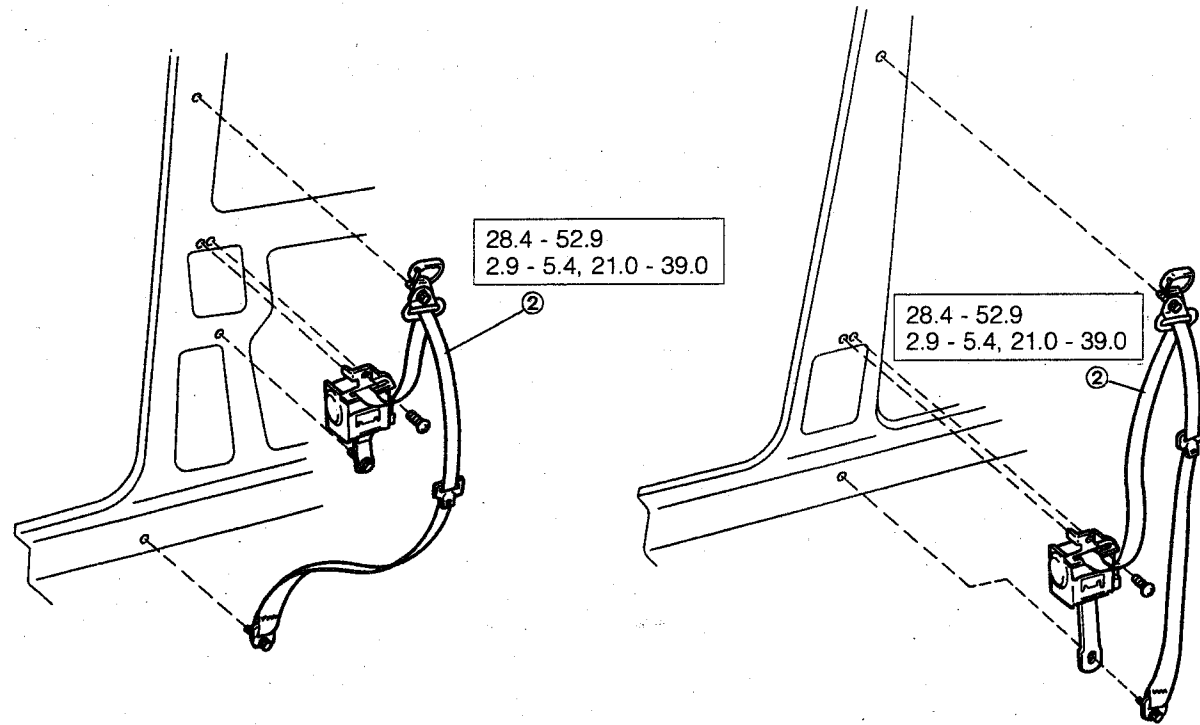
INSTALLATION

Install each component in the opposite order of the removal order.

GBO00053-00000

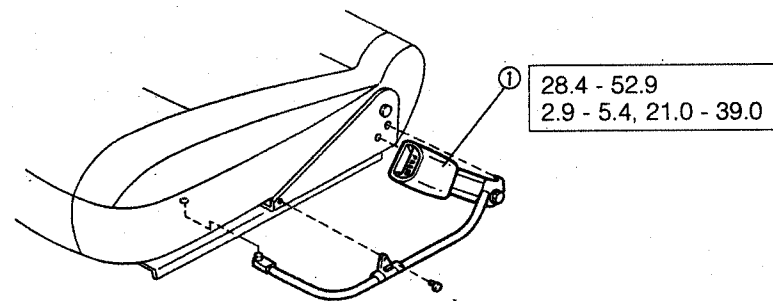
FRONT SEAT BELT COMPONENTS

☐ : Tightening torque
Unit : N·m (kgf·m, ft·lb)



<3 DOOR>

<5 DOOR>



<Inner>

- ① Front seat inner seat belt assembly
- ② Front seat outer seat belt assembly

REMOVAL (3 DOOR)

1. Remove the front seat. (See page BO-19)
2. Remove the rear seat. (See page BO-20, 21)
3. Remove the quarter trim panel. (See page BO-27)
4. Remove each component in the order following named.
 - ① Front seat inner seat belt assembly
 - ② Front seat outer seat belt assembly

REMOVAL (5 DOOR)

1. Remove the front seat. (See page BO-19)
2. Remove the center pillar lower garnish. (See page BO-28)
3. Remove each component in the order following named.
 - ① Front seat inner seat belt assembly
 - ② Front seat outer seat belt assembly

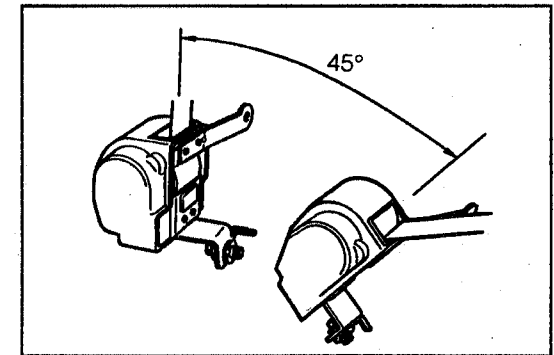
INSPECTION

ELR LOCKING CHECK

Slowly tilt the retractor from the installation angle. Ensure that no belt locking takes place within 15 degrees in all directions. Also, ensure that the locked state is retained when the retractor is tilted 45 degrees or more.

NOTE:

- Never attempt to disassembly the retractor.
- After the anchor bolts have been tightened, make sure that each anchor can move in the bolt's circumferential direction.
- Be sure that the belt in the installed state can be pulled out smoothly and also it can be retracted smoothly into position.

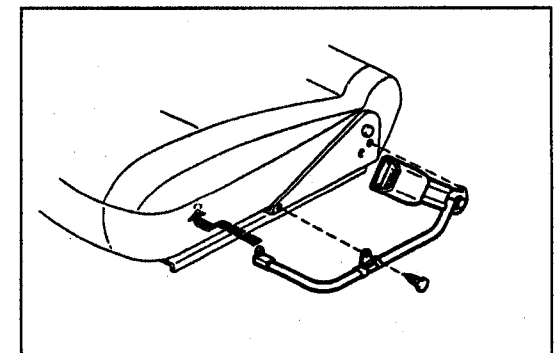


INSTALLATION

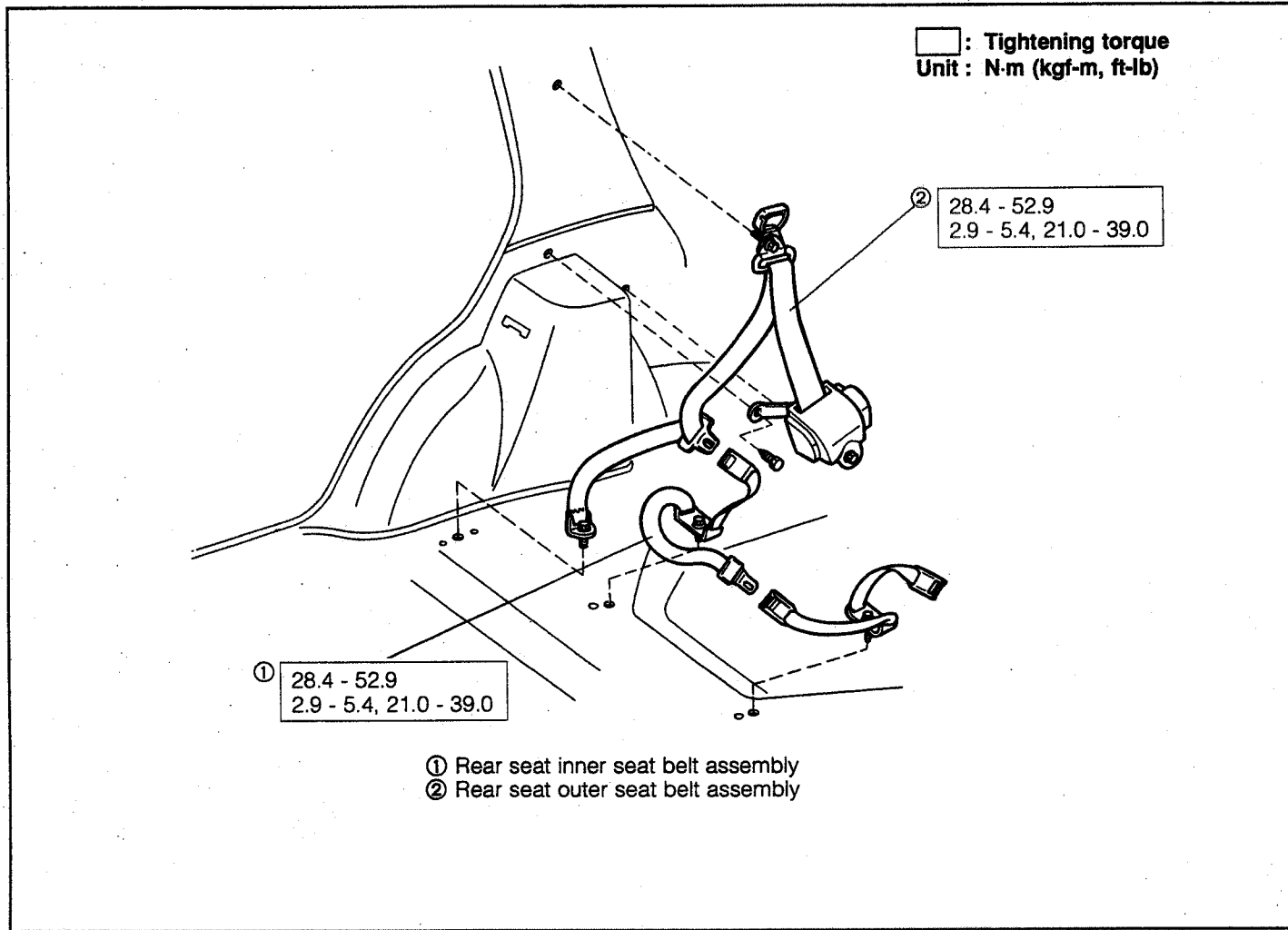
Install each component in the opposite order of the removal order.

NOTE:

- When the harness for belt warning is adopted, pass the connector between the seat cushion and seat track. Set the connector in the hole at the back side of the cushion panel.



REAR SEAT BELT COMPONENTS



GBO00059-99999

REMOVAL

1. Remove the rear seat cushion. (See page BO-20, 21)
2. Remove the rear seat back. (See page BO-20, 21)
3. Remove the package tray trim panel assembly. (See page BO-29)
4. Remove the package tray side trim. (See page BO-29)
5. Remove each component in the order following named.
 - ① Rear seat inner seat belt assembly
 - ② Rear seat outer seat belt assembly

GBO00060-00000

INSPECTION

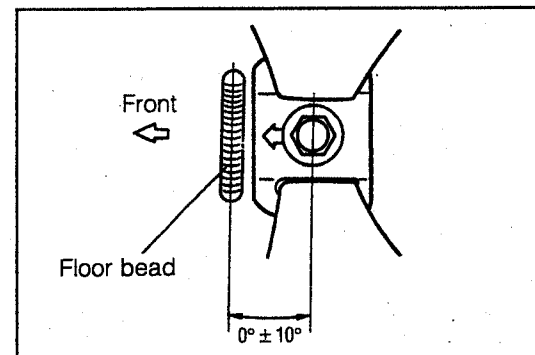
ELR LOCKING CHECK (See page BO-23)

INSTALLATION

Install each component in the opposite order of the removal order.

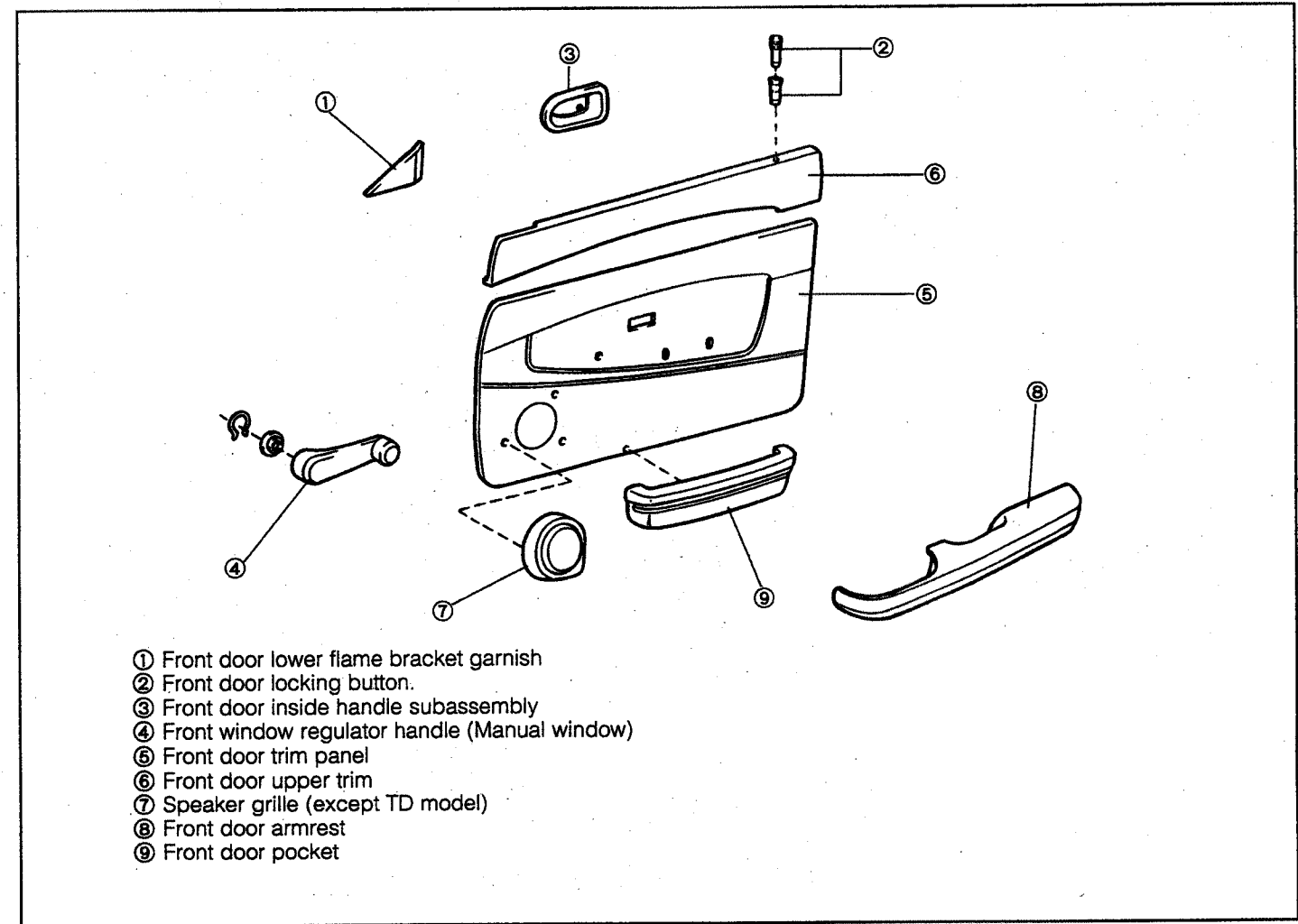
NOTE:

- Install the anchor plate of the inner seat belt as indicated in the right figure.



GBO00061-99999

FRONT DOOR TRIM COMPONENTS



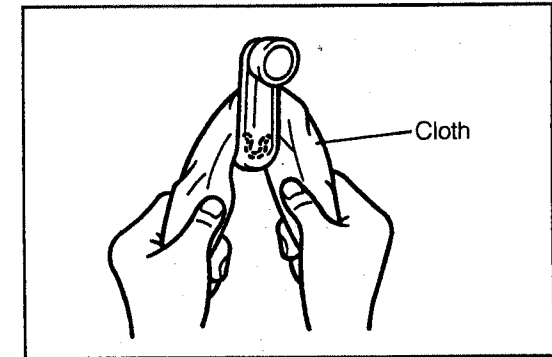
GBO00062-99999

REMOVAL

1. Remove each component in the order following named.
 - ① Front door lower flame bracket garnish
 - ② Front door locking button
 - ③ Front door inside handle subassembly
 - ④ Front window regulator handle (Manual window)
 - ⑤ Front door trim panel
 - ⑥ Front door upper trim
 - ⑦ Speaker grille (except TD model)
 - ⑧ Front door armrest
 - ⑨ Front door pocket

NOTE:

- Remove the front window regulator handle in such a way that turning the opening section of the snap ring toward upper side and pulling out the cloth as indicated in the right figure.



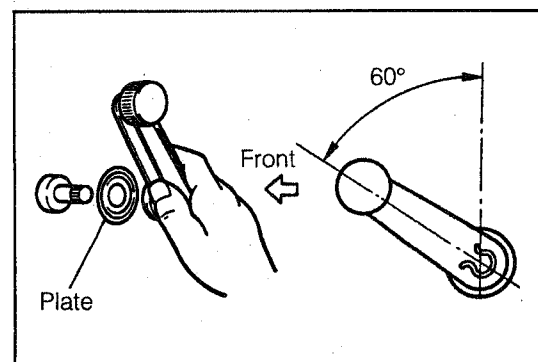
GBO00063-99999

INSTALLATION

Install each component in the opposite order of the removal order.

NOTE:

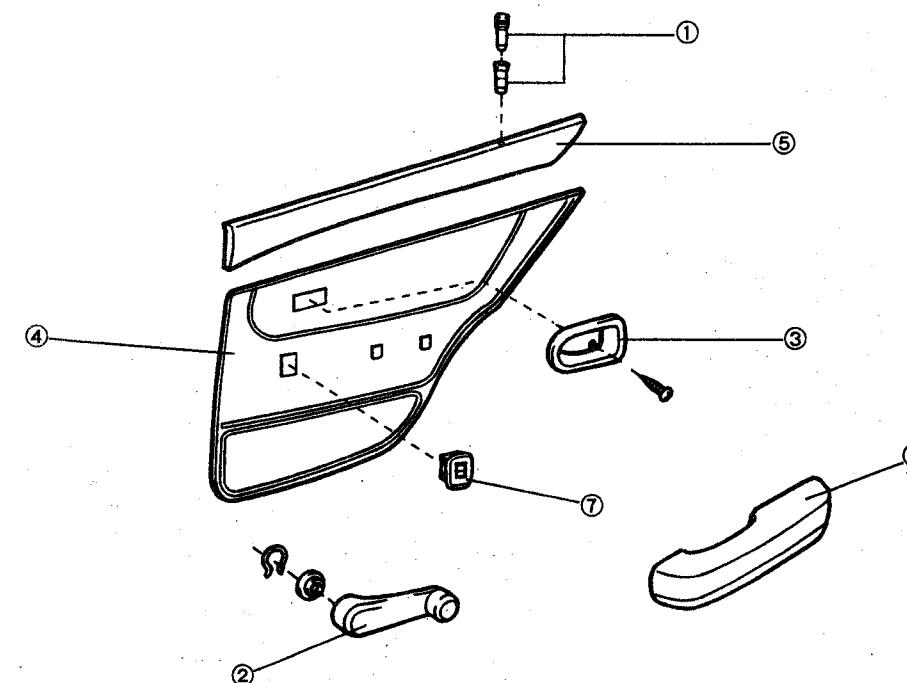
- Install the front window regulator handle in such a way that the tilt angle is 60°, when the front window glass is closed fully.



GBO00064-99999

REAR DOOR TRIM

COMPONENTS



- ① Rear door locking button
- ② Rear window regulator handle (Manual window)
- ③ Rear door inside handle subassembly
- ④ Rear door trim panel
- ⑤ Rear door upper trim
- ⑥ Rear door armrest
- ⑦ Power window switch (Power window)

GBO00065-99999

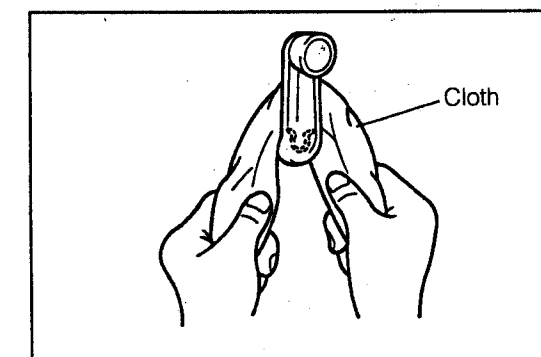
REMOVAL

1. Remove each component in the order following named.

- ① Rear door locking button
- ② Rear window regulator handle (Manual window)
- ③ Rear door inside handle subassembly
- ④ Rear door trim panel
- ⑤ Rear door upper trim
- ⑥ Rear door armrest
- ⑦ Power window switch (Power window)

NOTE:

- Remove the rear window regulator handle in such a way that turning the opening section of the snap ring toward upper side and pulling out the cloth as indicated in the right figure.



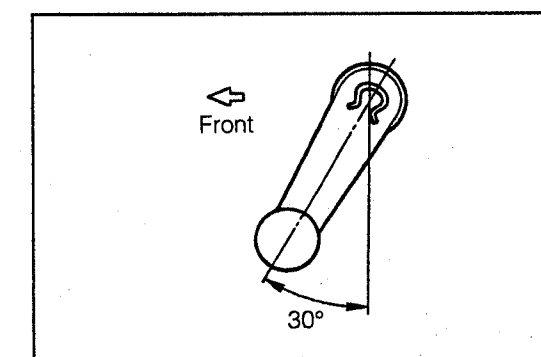
GBO00066-99999

INSTALLATION

Install each component in the opposite order of the removal order.

NOTE:

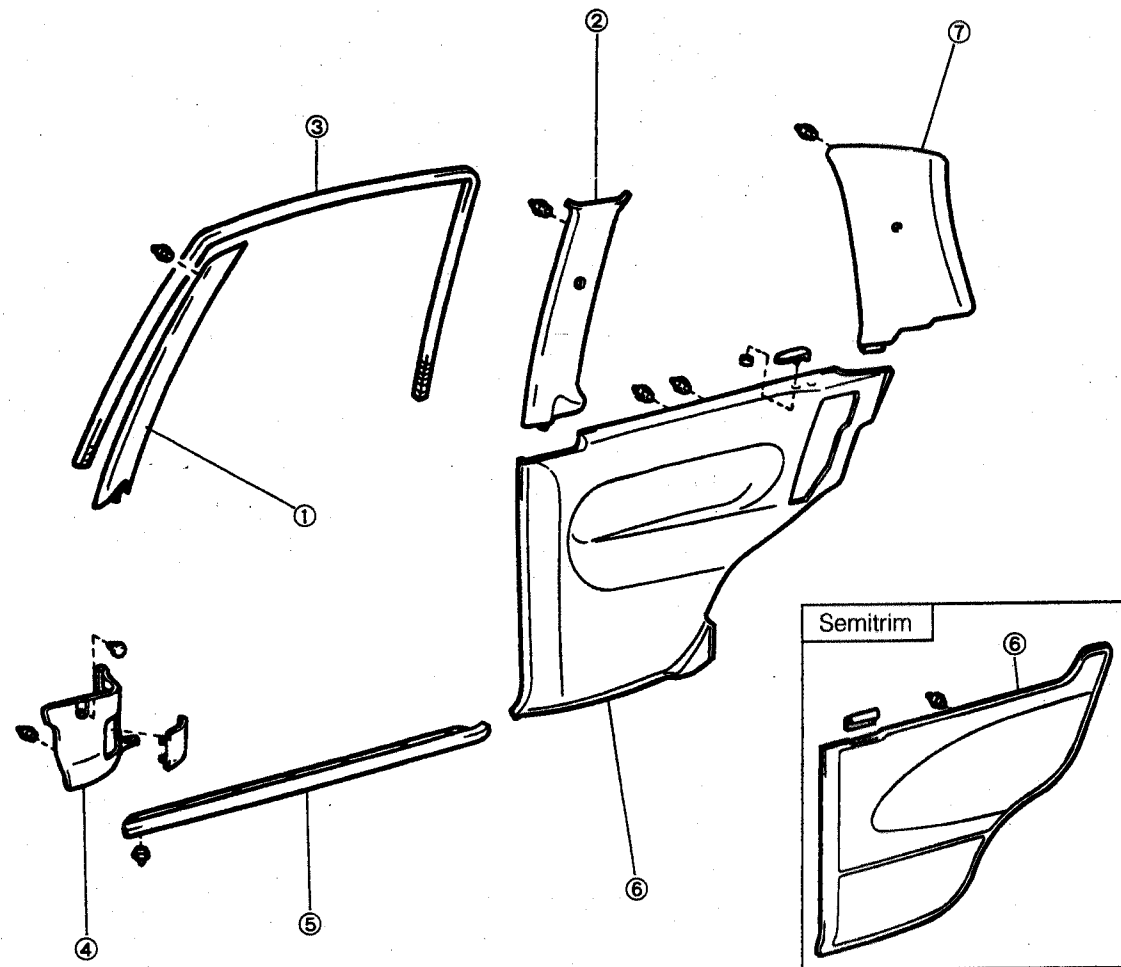
- Install the rear window regulator handle in such a way that the tilt angle is 30°, when the rear window glass is closed fully as indicated in the right figure.



GBO00067-99999

SIDE TRIM
COMPONENTS (3 DOOR)

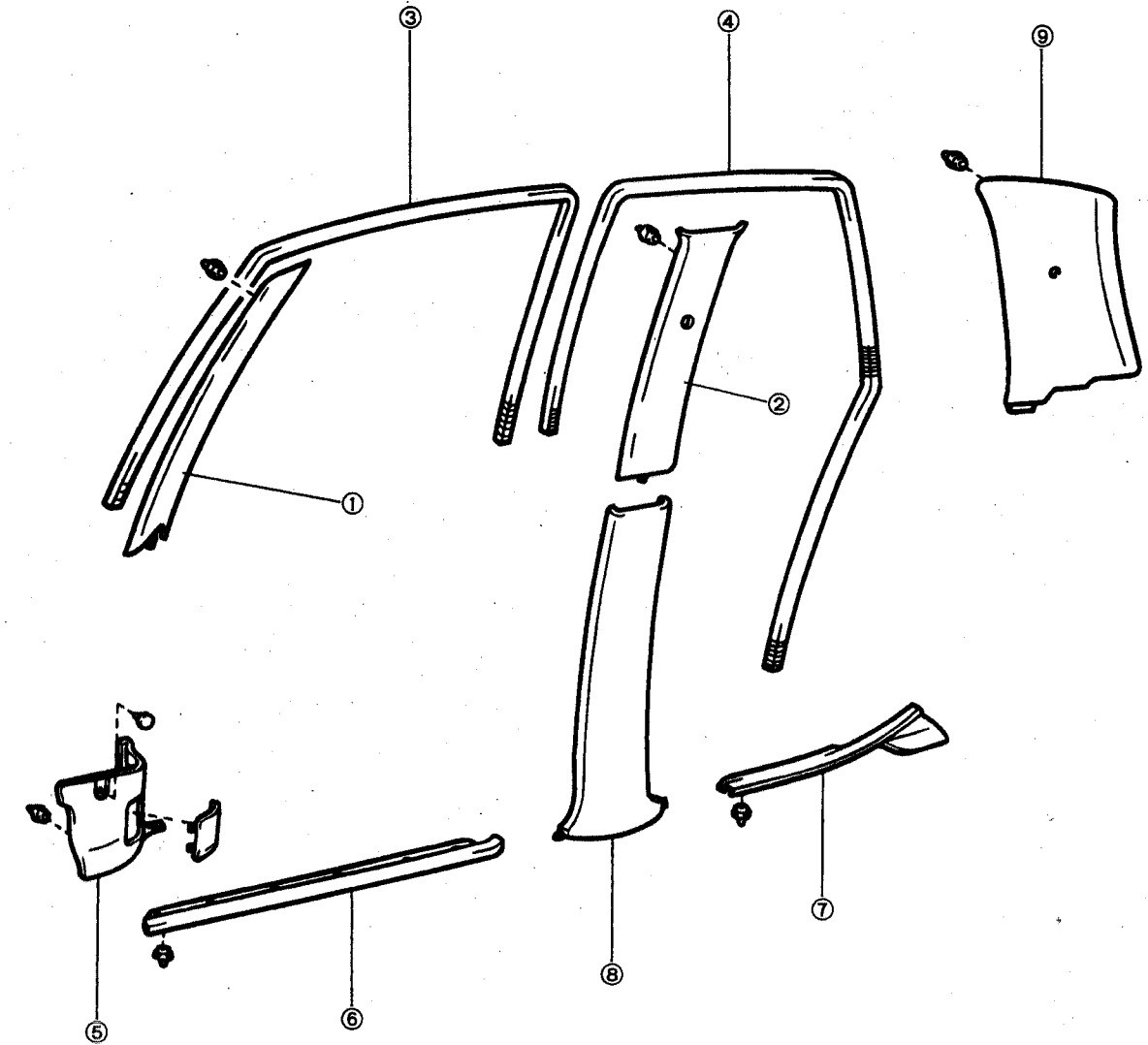
• 3 DOOR



- ① Front pillar garnish
- ② Center pillar upper garnish
- ③ Front door opening trim
- ④ Cowl side trim
- ⑤ Front door scuff plate
- ⑥ Quarter trim panel
- ⑦ Roof side inner garnish

COMPONENTS (5 DOOR)

• 5 DOOR



- ① Front pillar garnish
- ② Center pillar upper garnish
- ③ Front door opening trim
- ④ Rear door opening trim
- ⑤ Cowl side trim
- ⑥ Front door scuff plate
- ⑦ Rear door scuff plate
- ⑧ Center pillar lower garnish
- ⑨ Roof side inner garnish

REMOVAL

1. Remove the rear seat cushion assembly and seat back assembly (3 door only: See page BO-20, 21)
2. Remove the front seat outer belt shoulder anchor.
3. Remove the rear seat outer belt shoulder anchor and retractor.
4. Remove the package tray trim panel.
5. Remove the package tray side trim.
6. Remove each component in the order following named.

[3 door]

[5 door]

- | | |
|-------------------------------|-------------------------------|
| ① Front pillar garnish | ① Front pillar garnish |
| ② Center pillar upper garnish | ② Center pillar upper garnish |
| ③ Front door opening trim | ③ Front door opening trim |
| ④ Cowl side trim | ④ Rear door opening trim |
| ⑤ Front door scuff plate | ⑤ Cowl side trim |
| ⑥ Quarter trim panel | ⑥ Front door scuff plate |
| ⑦ Roof side inner garnish | ⑦ Rear door scuff plate |
| | ⑧ Center pillar lower garnish |
| | ⑨ Roof side inner garnish |

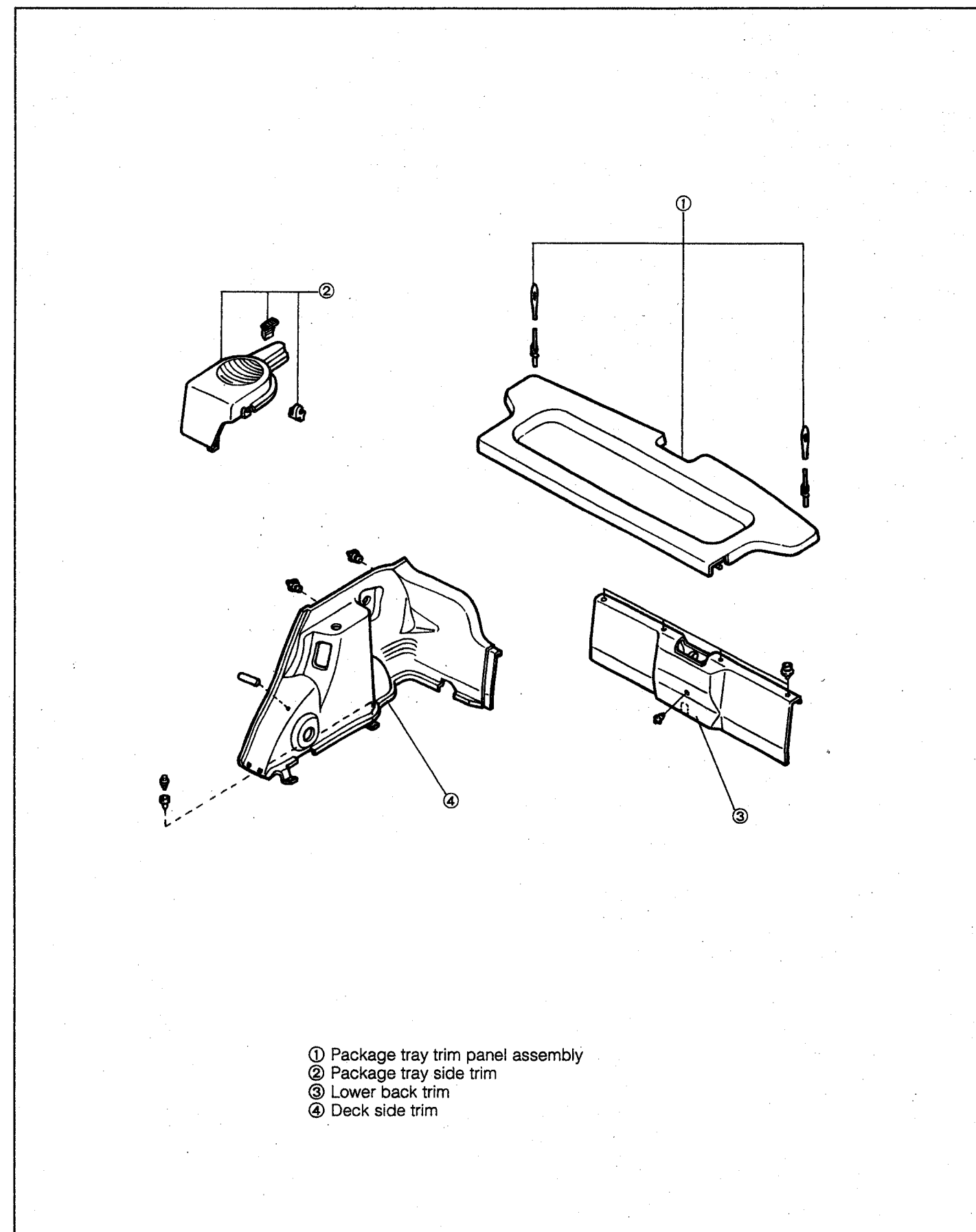
INSTALLATION

Install each component in the opposite order of the removal order both 3 door and 5 door.

GBO00070-00000

GBO00071-00000

DECK SIDE TRIM COMPONENTS



- ① Package tray trim panel assembly
- ② Package tray side trim
- ③ Lower back trim
- ④ Deck side trim

REMOVAL

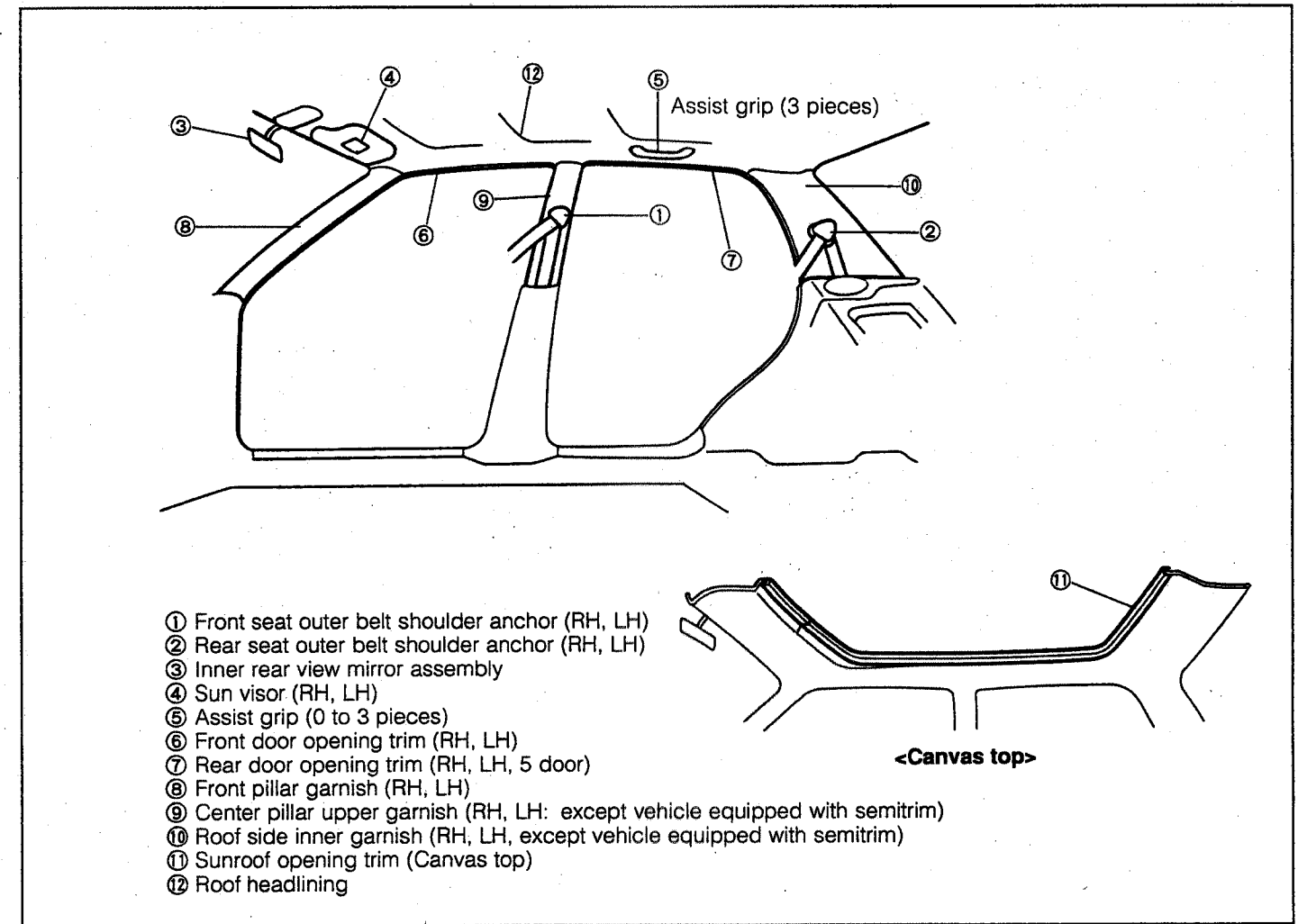
1. Remove the rear seat cushion assembly and seat back assembly.
(See page BO-20, 21)
2. Remove the rear seat outer belt floor anchor and retractor.
3. Remove each component in the order following named.
 - ① Package tray trim panel assembly
 - ② Package tray side trim
 - ③ Lower back trim
4. Remove the quarter trim panel. (3 door only: See page BO-27)
5. Remove the rear door scuff plate. (5 door only: See page BO-28)
6. Remove the related part of the rear door opening trim.
(5 door only: See page BO-38)
7. Remove the deck side trim.

INSTALLATION

Install each component in the opposite order of the removal order both 3 door and 5 door.

GBO00073-00000

GBO00074-00000

ROOF HEADLINING COMPONENTS

GBO00075-99999

REMOVAL

Remove each component in the order following named.

- ① Front seat outer belt shoulder anchor (RH, LH)
- ② Rear seat outer belt shoulder anchor (RH, LH)
- ③ Inner rear view mirror assembly
- ④ Sun visor (RH, LH)
- ⑤ Assist grip (0 to 3 pieces)
- ⑥ Front door opening trim (RH, LH)
- ⑦ Rear door opening trim (RH, LH: 5 door only)
- ⑧ Front pillar garnish (RH, LH)
- ⑨ Center pillar upper garnish (RH, LH: except the vehicle equipped with semitrim)
- ⑩ Roof side inner garnish (RH, LH: except the vehicle equipped with semitrim)
- ⑪ Sun roof opening trim (Canvas top)
- ⑫ Roof headlining

INSTALLATION

Install each component in the opposite order of the removal order.

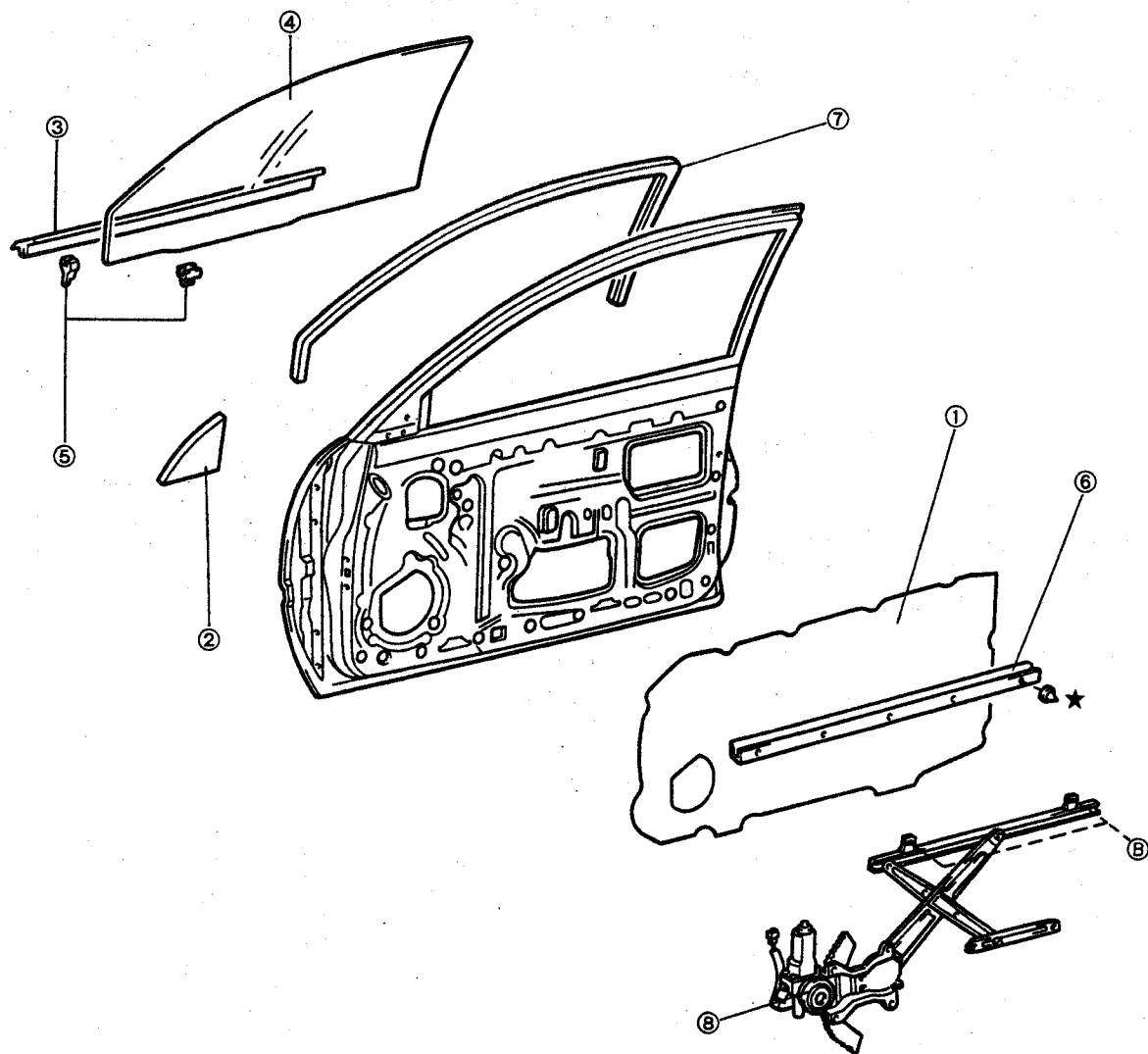
GBO00076-00000

GBO00077-00000

FRONT DOOR

FRONT DOOR GLASS AND REGULATOR
COMPONENTS

★ : Non-reusable part

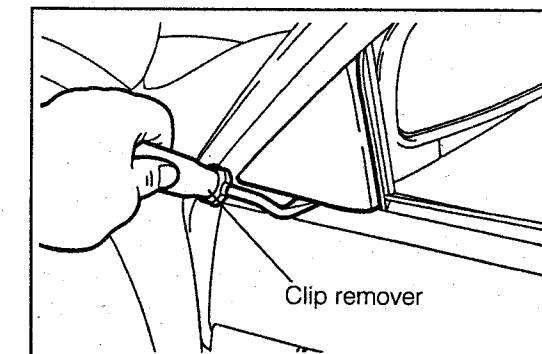


- ① Front door service hole cover
- ② Front door lower flame garnish
- ③ Front door glass outer weatherstrip assembly
- ④ Front door glass
- ⑤ Door window glass holder cushion & door window glass holder
- ⑥ Front door glass inner weatherstrip (except the vehicle equipped with semitrim)
- ⑦ Front door glass run
- ⑧ Front door window regulator assembly

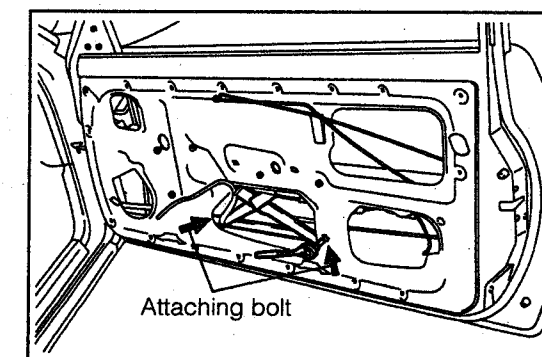
GBO00078-99999

REMOVAL

1. Remove the front door trim. (See page BO-25)
2. Remove the front door service hole cover.
3. Remove the front door lower flame garnish by means of a clip remover or a screw driver with protective tape.
4. Remove the front door glass outer weatherstrip assembly.
5. Let down the front door glass to the position indicated in the right figure.
Remove two attaching bolts.
Remove the front door glass.
6. Remove the door window glass holder cushion & door window glass holder.
7. Remove the front door glass inner weatherstrip.
(Except the vehicle equipped with semitrim)
8. Remove the front door glass run.
9. Remove the front door window regulator assembly by removing six attaching bolts.



GBO00079-99999



GBO00080-99999

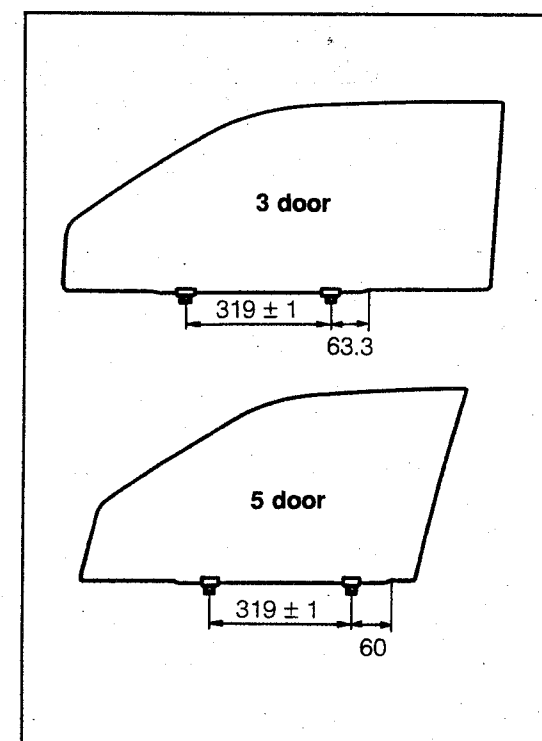
GBO00081-00000

INSTALLATION

Install each component in the opposite order of the removal order.

NOTE:

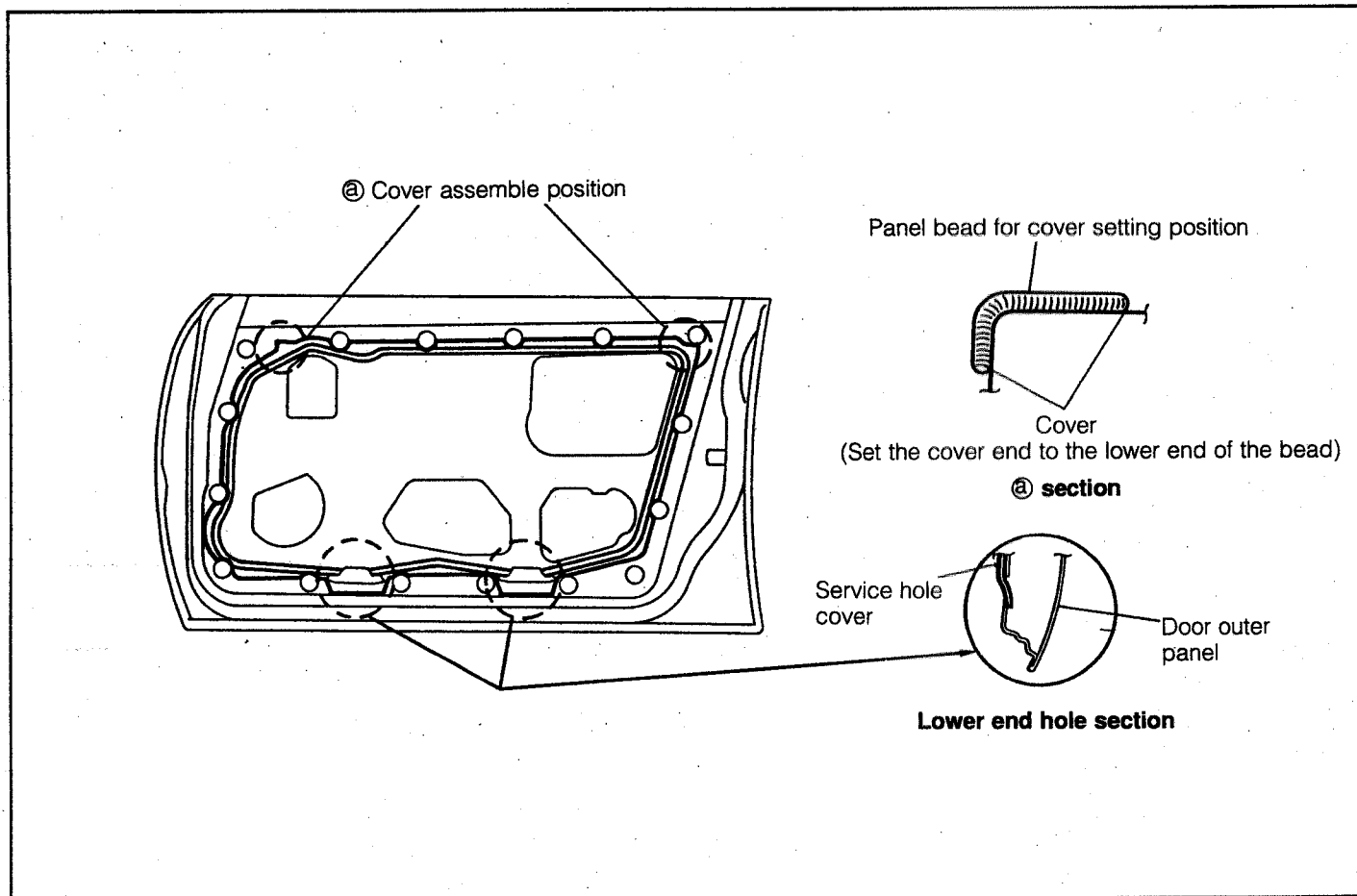
- ① Installation of the door window glass holder cushion & door window glass holder.
 - Mark the attaching position of the cushion & holder on the front door glass.
 - Apply soap and water or the like on the inside surface of the cushion.
 - Install the cushion & holder to the front door glass by patting them with a plastic hammer or the like.
- ② Installation of the front door window regulator assembly
 - Apply MP grease to the sliding and gear sections of the front door window regulator assembly.



GBO00082-99999

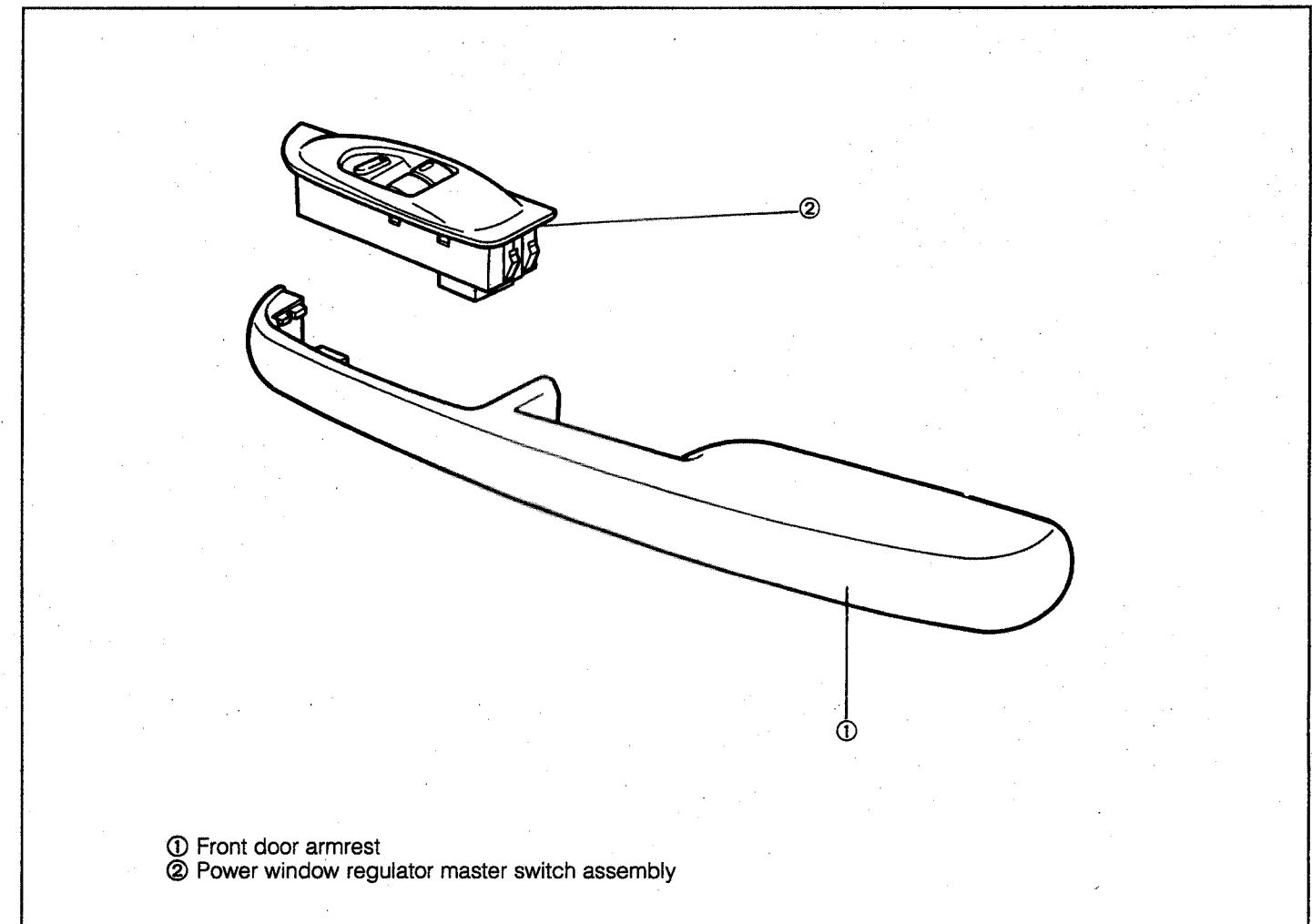
- ③ Installation of the front door service hole cover.
 - Affix butyl tape along the groove of the front door inner panel not so tight.
 - Affix the service hole cover as indicated in the figure below. Push the butyl tape affixing position certainly.
 - Insert the lower end of the front door service hole cover into the hole section of the front door inner panel. (If the front door service hole cover is broken, be sure to replace it to prevent water leakage.)

GBO00083-00000



GBO00084-99999

POWER WINDOW MASTER SWITCH COMPONENTS



GBO00085-99999

REMOVAL

1. Remove the front door trim. (See page BO-25)
2. Remove the front door armrest from the back side of the front door trim by removing four attaching screws.
3. Remove the power window regulator master switch assembly from the front door armrest by pulling out the inlet of them.

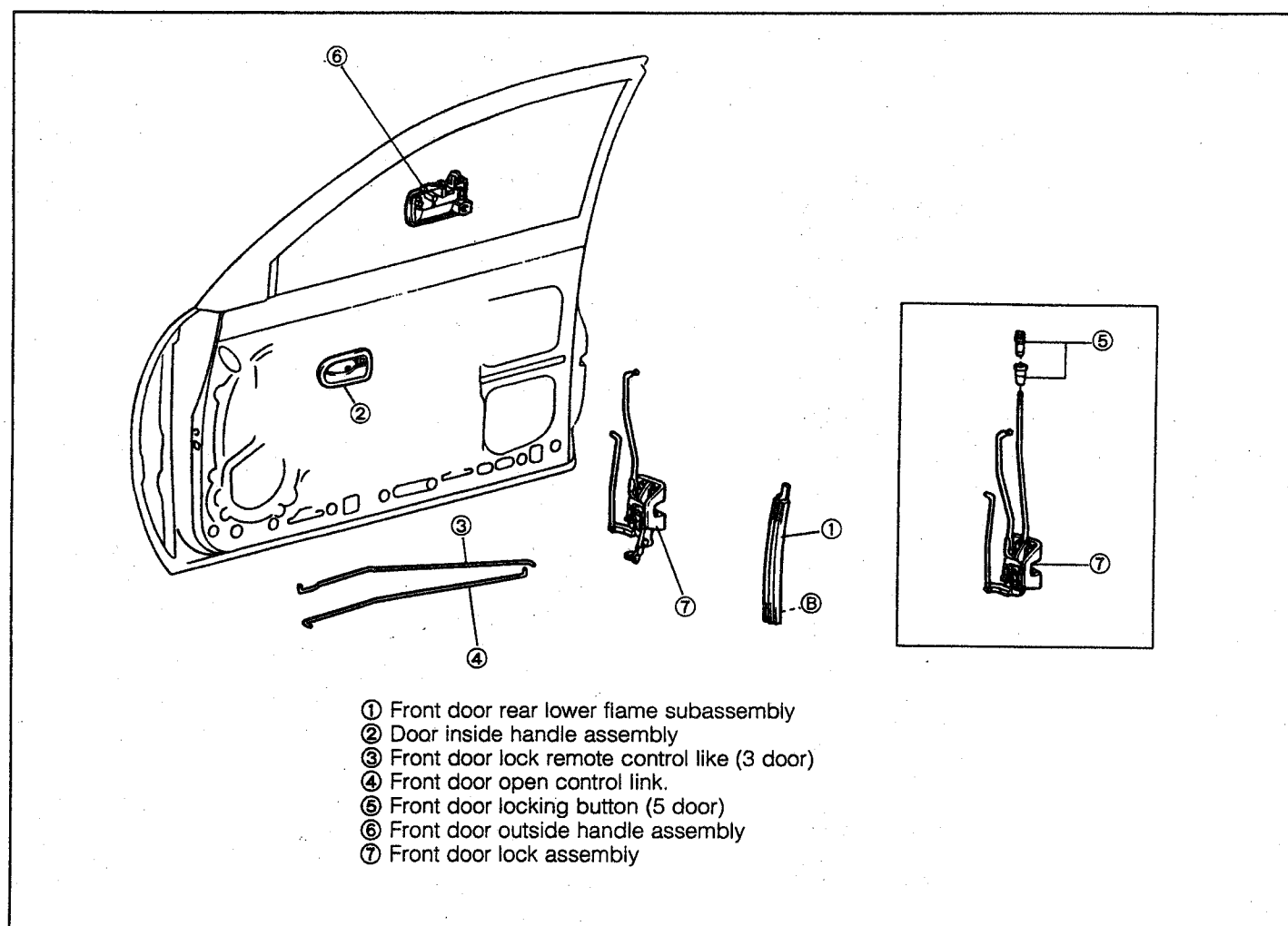
GBO00086-00000

INSTALLATION

Install each component in the opposite order of the removal order.

GBO00087-00000

FRONT DOOR LOCK & OUTSIDE HANDLE COMPONENTS



- ① Front door rear lower frame subassembly
- ② Door inside handle assembly
- ③ Front door lock remote control link (3 door)
- ④ Front door open control link
- ⑤ Front door locking button (5 door)
- ⑥ Front door outside handle assembly
- ⑦ Front door lock assembly

GBO00088-99999

REMOVAL

1. Remove the front door trim panel. (See page BO-25)
2. Remove the front door service hole cover. (See page BO-33)
3. Remove each component in the order following named.
 - ① Front door rear lower frame subassembly
 - ② Door inside handle assembly
 - ③ Front door lock remote control link (3 door)
 - ④ Front door open control link
 - ⑤ Front door locking button (5 door)
 - ⑥ Front door outside handle assembly
 - ⑦ Front door lock assembly

INSTALLATION

Install each component in the opposite order of the removal order.

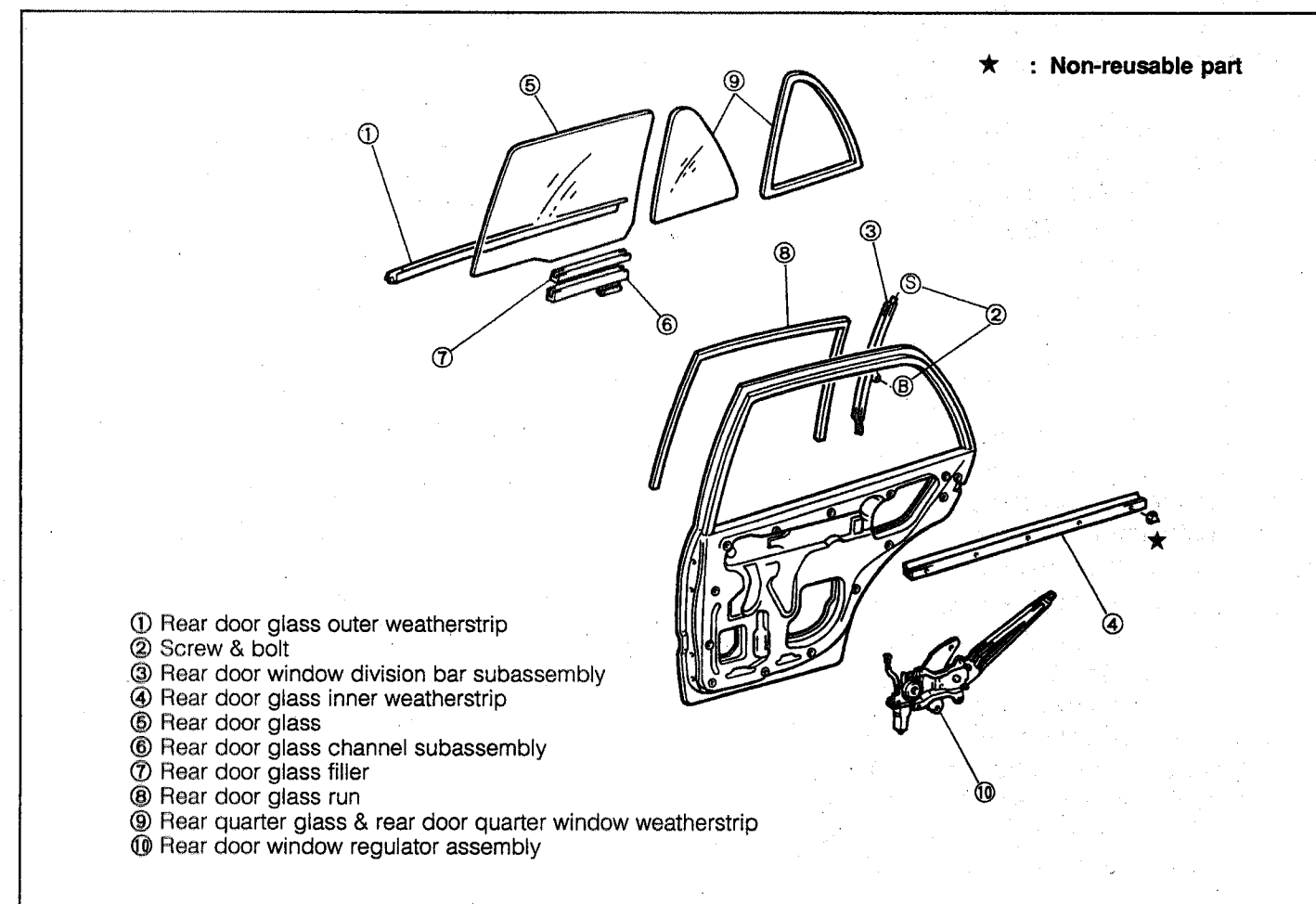
NOTE:

- Apply MP grease to the sliding section of the front door lock assembly.

GBO00089-00000

GBO00090-00000

REAR DOOR REAR DOOR GLASS & REGULATOR COMPONENTS



★ : Non-reusable part

- ① Rear door glass outer weatherstrip
- ② Screw & bolt
- ③ Rear door window division bar subassembly
- ④ Rear door glass inner weatherstrip
- ⑤ Rear door glass
- ⑥ Rear door glass channel subassembly
- ⑦ Rear door glass filler
- ⑧ Rear door glass run
- ⑨ Rear quarter glass & rear door quarter window weatherstrip
- ⑩ Rear door window regulator assembly

GBO00091-99999

REMOVAL

1. Remove the rear door trim panel. (See page BO-26)
2. Remove the rear door service hole cover.
3. Remove each component in the order following named.
 - ① Rear door glass outer weatherstrip
 - ② Screw & bolt
 - ③ Rear door window division bar subassembly
 - ④ Rear door glass inner weatherstrip
 - ⑤ Rear door glass
 - ⑥ Rear door glass channel subassembly
 - ⑦ Rear door glass filler
 - ⑧ Rear door glass run
 - ⑨ Rear quarter glass & rear door quarter window weatherstrip
 - ⑩ Rear door window regulator assembly

GBO00092-00000

INSTALLATION

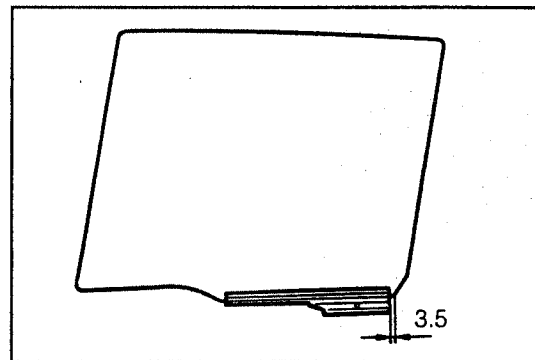
Install each component in the opposite order of the removal order.

NOTE:

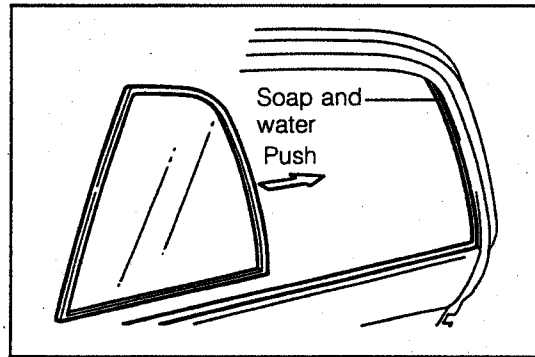
- ① Installation of the rear door glass channel subassembly
 - Mark the attaching position of the channel on the rear door glass.
 - Apply soap and water or the like on the inside surface of the rear door glass filler.
 - Install the rear door glass channel subassembly to the rear door glass by patting it with a plastic hammer or the like.

- ② Installation of the rear quarter glass & rear door quarter window weatherstrip
 - Set the rear door quarter window weatherstrip to the rear quarter glass.
 - Apply soap and water or the like on the inside surface of the rear door frame.
 - Set the rear quarter glass & rear door quarter window weatherstrip to the rear door frame. Push them backward.

- ③ Installation of the rear door service hole cover
 - Affix butyl tape along the groove of the rear door inner panel not so tight.
 - Affix the service hole cover as indicated in the figure below. Push the butyl type affixing position certainly.
 - Insert the lower end of the rear door service hole cover into the hole section of the rear door inner panel.
 - (If the rear door service hole cover is broken, be sure to replace it to prevent water leakage.)

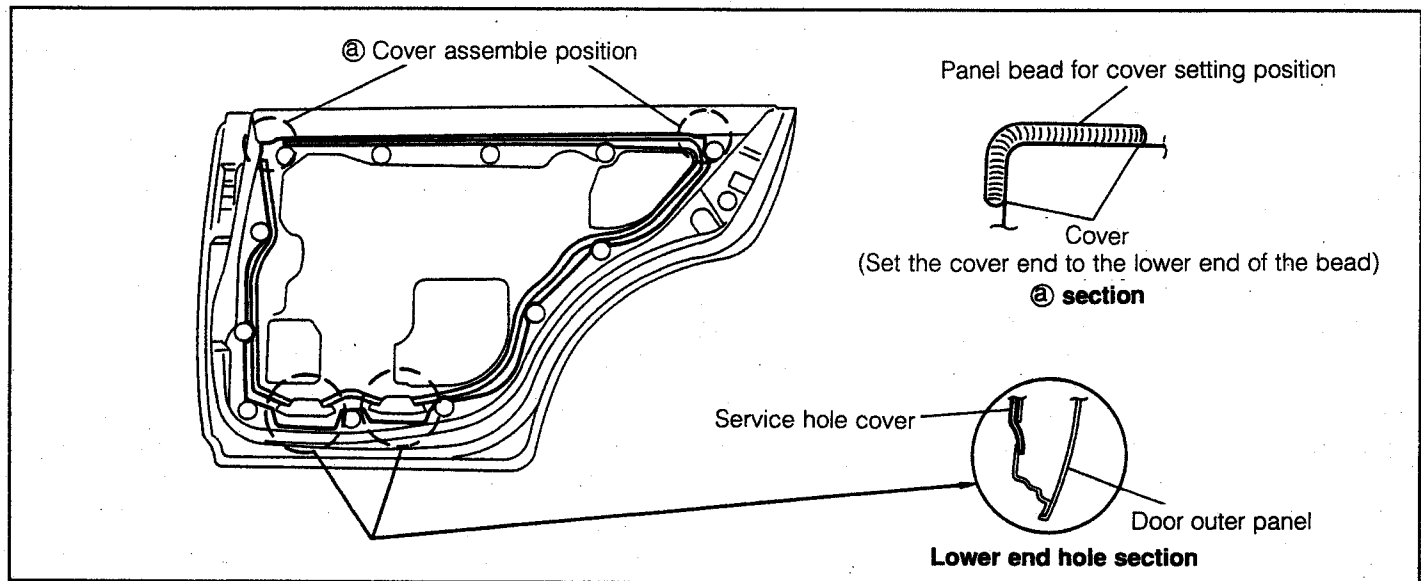


GBC00093-99999



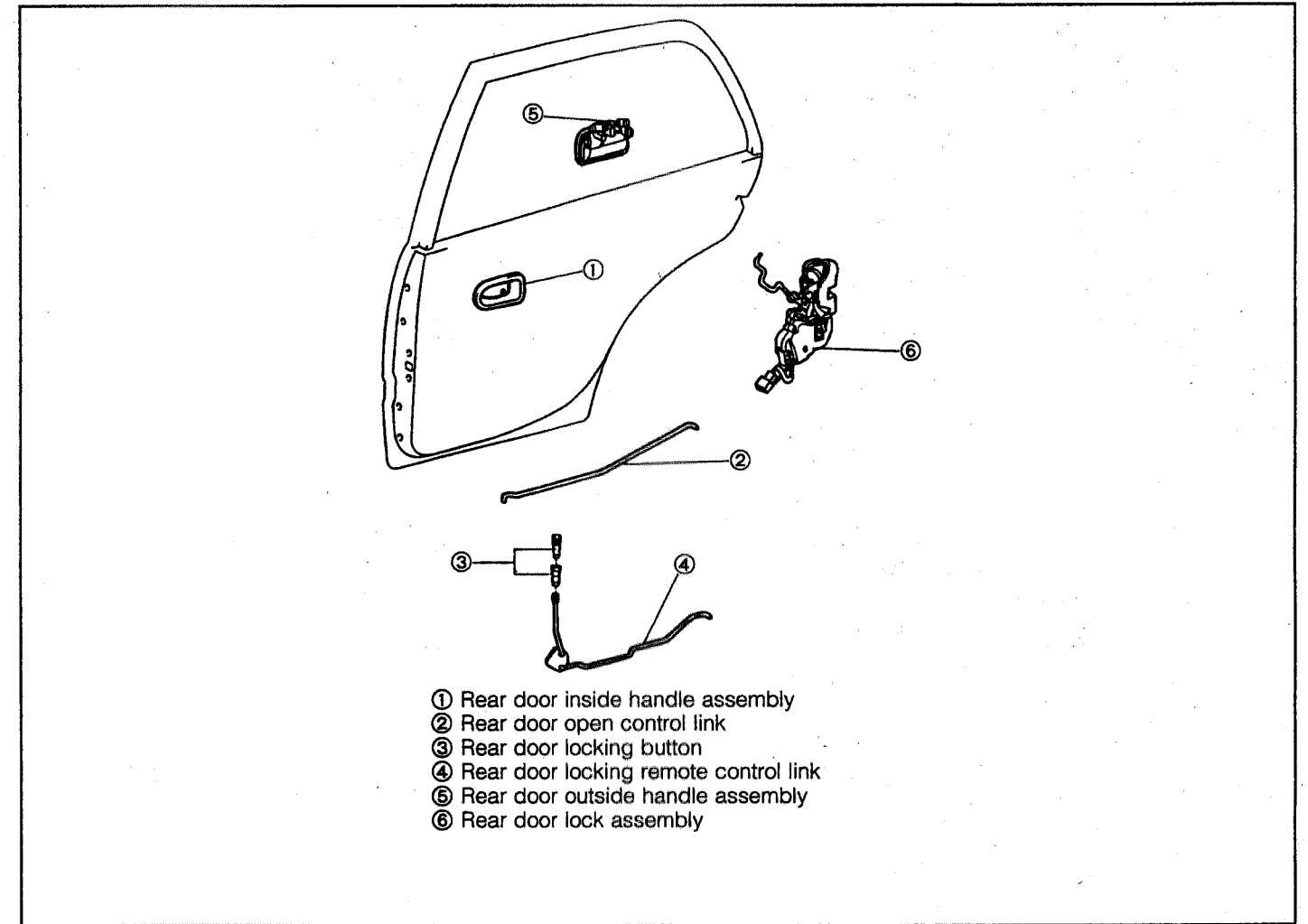
GBC00094-99999

GBC00095-00000



GBC00096-99999

REAR DOOR LOCK & OUTSIDE HANDLE COMPONENTS



- ① Rear door inside handle assembly
- ② Rear door open control link
- ③ Rear door locking button
- ④ Rear door locking remote control link
- ⑤ Rear door outside handle assembly
- ⑥ Rear door lock assembly

GBC00097-99999

REMOVAL

1. Remove the rear door trim panel. (See page BO-26)
2. Remove the rear door service hole cover.
3. Remove each component in the order following named.
 - ① Rear door inside handle assembly
 - ② Rear door open control link
 - ③ Rear door locking button
 - ④ Rear door locking remote control link
 - ⑤ Rear door outside handle assembly
 - ⑥ Rear door lock assembly

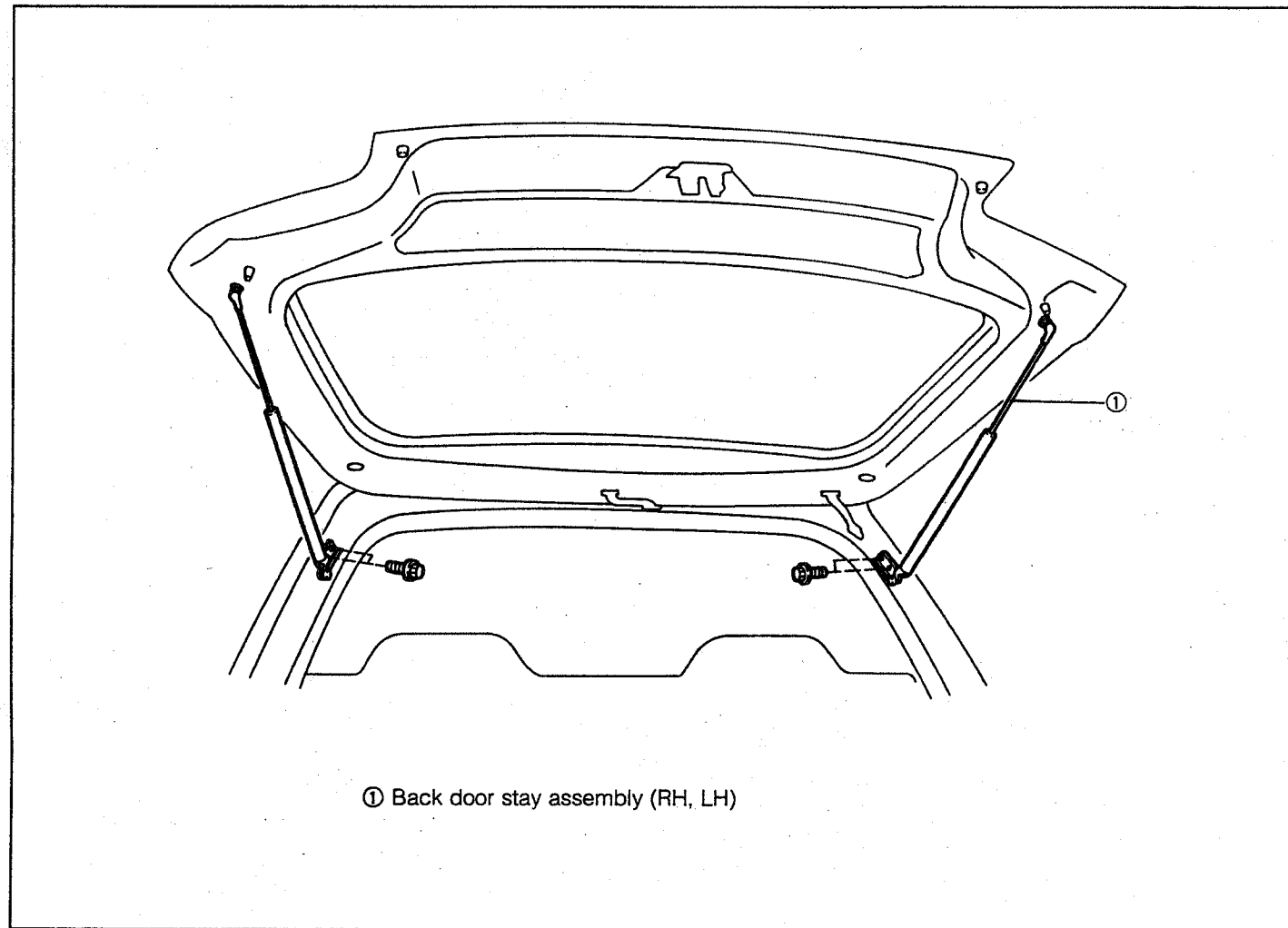
GBC00098-00000

INSTALLATION

Install each component in the opposite order of the removal order.

GBC00099-00000

BACK DOOR STAY COMPONENTS



① Back door stay assembly (RH, LH)

GB000100-99999

REMOVAL

1. Remove the stud bolts from the ball joint section.
2. Remove the back door stay assembly by removing the two bolts at the bracket.

CAUTION:

- Never attempt to disassemble the door stay assembly, for the cylinder is filled with high-pressure gas.
- After the stay has been replaced, be certain to discharge the high-pressure gas from it, by making a 2 - 3 mm (0.08 - 0.12 inch) dia. hole at the bottom of the cylinder of the removed stay. (The discharging gas is colorless, odorless and nonpoisonous. However, be very careful as to drilled metal chips being blown off.)
- Utmost caution must be exercised as to the handling of the stay. Never let scratch, paint or oil get to the exposed section of the piston rod.
- When the stay is in an extended state, be sure not to turn the piston rod or the cylinder.

GB000101-00000

INSTALLATION

Install each component in the opposite order of the removal order.

GB000102-00000

TIGHTENING TORQUE

Tightening Component	Tightening Torque		
	N-m	kgf-m	ft-lb
Hood hinge x Body	6.9 - 10.8	0.7 - 1.1	5.1 - 8.0
Hood lock x Body	9.8 - 14.7	1.0 - 1.5	7.2 - 10.8
Front door hinge x Body	19.6 - 29.4	2.0 - 3.0	14.5 - 21.7
Rear door hinge x Body	19.6 - 29.4	2.0 - 3.0	14.5 - 21.7
Back door hinge x Body	19.6 - 29.4	2.0 - 3.0	14.5 - 21.7
Back door hinge x Back door	9.8 - 15.7	1.0 - 1.6	7.2 - 11.6
Back door stay x Body	3.9 - 6.9	0.4 - 0.7	2.9 - 5.1
Back door stay x Back door	15.7 - 22.5	1.6 - 2.3	11.6 - 16.6
Door lock x Front (Rear) door	3.9 - 6.9	0.4 - 0.7	2.9 - 5.1
Door lock striker x Body	9.8 - 15.7	1.0 - 1.6	7.2 - 11.6
Back door lock x Back door	3.9 - 6.9	0.4 - 0.7	2.9 - 5.1
Back door lock striker x Body	3.9 - 6.9	0.4 - 0.7	2.9 - 5.1

GB000129-00000

BODY DIMENSIONS

(See "BODY REPAIR MANUAL, G200")

GB000130-00000